

## Installation instructions RZ118

### Anchor tube to be embedded in concrete for type RIALTO, for single and double roof

The following instructions include all information necessary for the installation and operation of this anchor tube. To avoid any misunderstanding, we advise you to read these instructions carefully and then keep them for later reference.



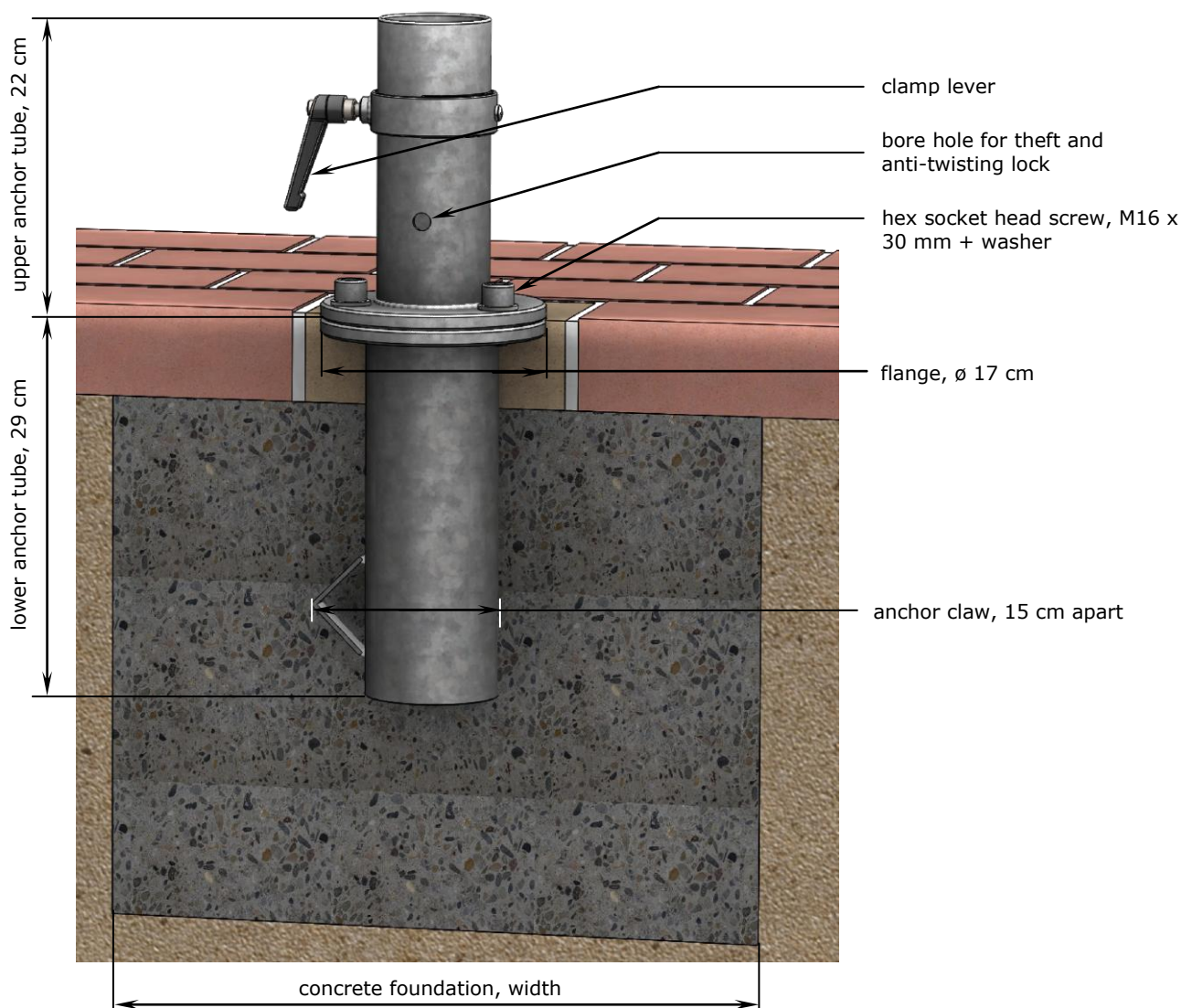
**Caution**

**Non- observation of operating instructions can result in personal injuries or damage to property.**

Please note that if these instructions are not observed, the manufacturer cannot assume any liability or guarantee.

- Always follow the safety regulations.
- Should you not understand any part of these operating instructions, please contact your MAY dealer.

### Diagram showing installation components



## Determining the location for the foundation

1. Allow sufficient space between parasols or between the wall of the house and the parasol.



Caution

### Parasols that are located too close together wear sooner.

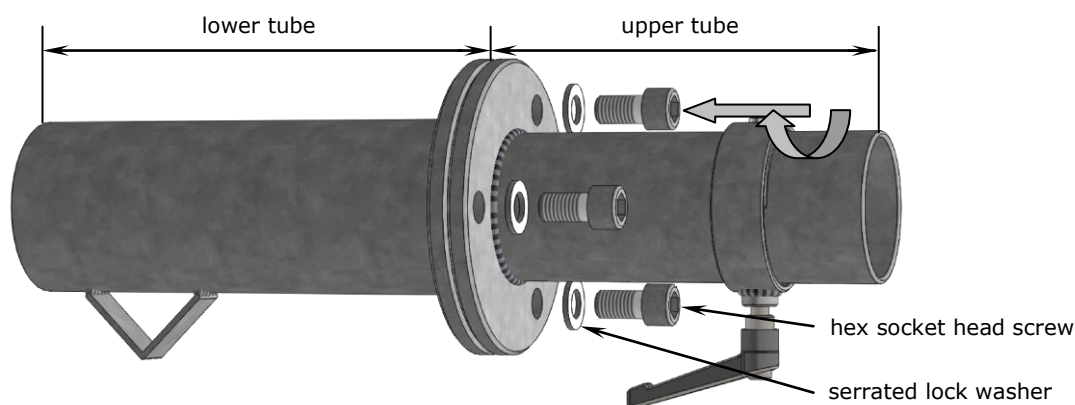
Parasols may sway slightly. If there is not enough space between them, they may touch and abrade or scour the canopy fabric at the spoke ends.

- Make sure that there is a clearance of 15-20 cm between the parasols (or between the parasol and the wall of the house).

2. We are able to compensate any unevenness of the ground by adjusting the height of each individual parasol. Extra - length upper tubes are available at 10 cm gradation and can be adjusted and accommodated on location.

## Embedding the anchor tube in concrete

1. Mount the upper anchor tube onto the lower anchor tube (cf. illus.). Put the 16 mm washer onto the M16x30mm hex socket head screw and tighten it with the supplied 14 mm hex key.



Caution

### Screws that are not tightened correctly will work loose.

If screws are not tightened firmly enough, there will not be sufficient tensile force to trigger self-locking. If the screws are tightened too firmly and over-stressed, the screw connection may slacken.

- Tighten the screws manually using the hex key and extension provided. Exert as much force as possible. With the enclosed tools there is virtually no risk of over-stressing.
- The correct torque for a torque wrench is 210 Nm.

2. Lay a concrete foundation of a width and length of app. 50 x 50 cm. The depth of the foundation will depend on how sensitive the ground is to frost. We recommend a depth of at least 70 cm.



**Danger**

**A falling parasol can cause serious or even fatal injury.**

If the foundation for the lower anchor tube is not dimensioned to match the size of the umbrella, the parasol may fall and cause injuries.

- Keep to the dimensions specified.
- In case of poor-quality ground, opt for a larger-size foundation.



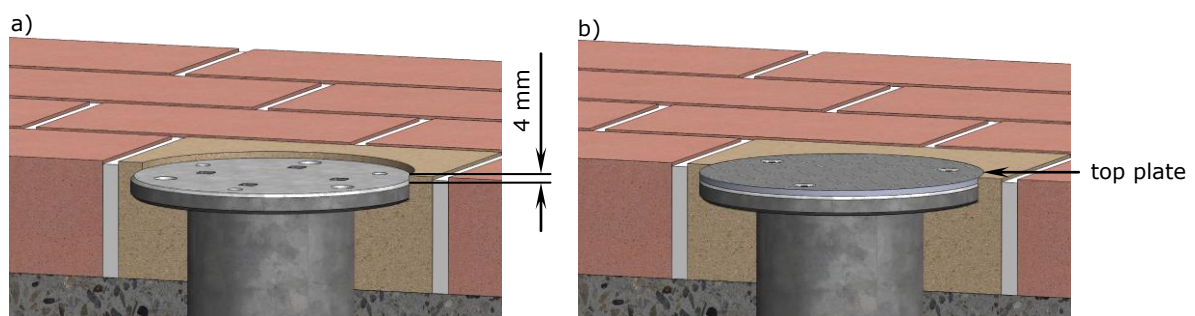
**Caution**

**The concrete foundation can be damaged by frost.**

Temperatures below freezing point may have a negative impact on the concrete foundation.

- Inquire up to what depth the ground of the designated parasol location is frost-proof and choose the size of the concrete foundation accordingly.

3. To assure that the top plate is flush with the ground after the upper anchor tube has been removed, (cf. illus. b) insert the lower anchor tube 4 mm deeper into the concrete than the patio surface (cf. illus. a: -to give a clearer picture, the upper anchor tube has been omitted). In this way tripping hazard is eliminated.



**Caution**

**The upper anchor tube may become a tripping hazard.**

Remove the upper anchor tube to avoid tripping hazard:

- Make sure to embed the lower anchor tube flush with the ground.

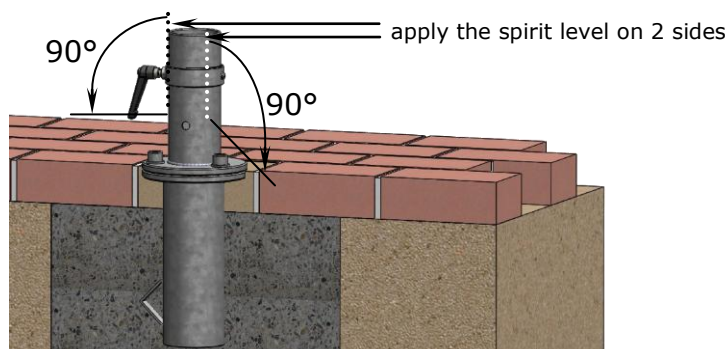
4. Check that the upper anchor tube is straight, using a spirit level (cf. illus.).



**Tip**

**If the parasol is to be in a vertical position, the anchor tube must be embedded in the concrete absolutely vertically.**

Align the anchor tube and keep it in position until the concrete has cured completely.



## Storage / Dismounting

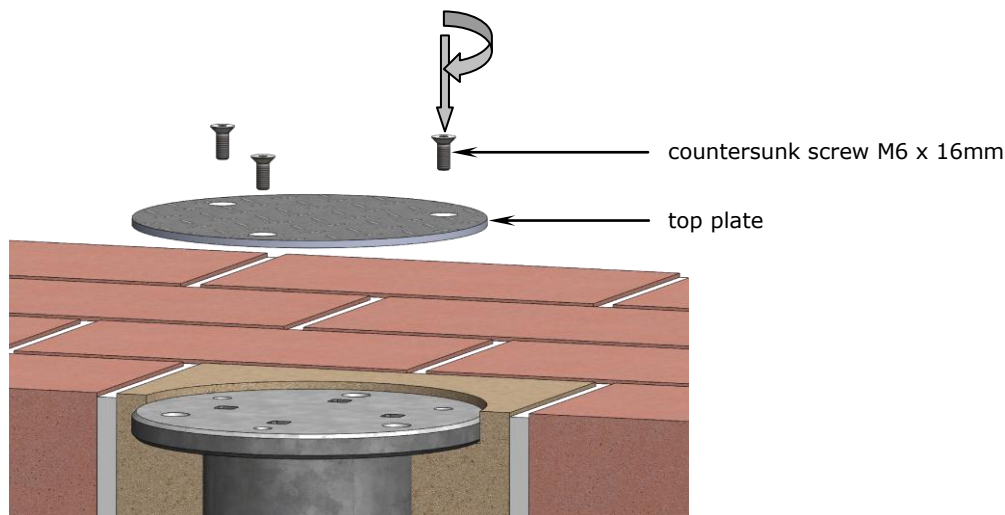
1. Lift the parasol out of the anchor tube.
2. Screw off the upper anchor tube.
3. Screw the top plate onto the lower anchor tube. (cf. illus.)



Caution

### The thread can get damaged.

When the top plate is not on the lower anchor tube, sand may get washed into the flanks of the thread. As sand is harder than steel, the thread may get damaged when the screw is turned.



4. If you have two or more parasols, it is advisable to mark them and their accessories (e.g. with metal stamped numerals or using a waterproof marker) as soon as they have been dismantled (e.g. for winter storage).



Tip

### Marking saves a lot of time and helps to keep things in order.

If clearly marked, each parasol can easily be assigned to its proper location and re-erected parallel to the wall of the house or next to the others.

- For clear and easy later assignment use the same number to mark the centre pole, the upper anchor tube and the lower anchor tube. For example, for parasol No. 1, all three parts should carry number 1, all three parts of parasol No. 2 should be marked with a 2, etc.

5. Grease the screws regularly to prevent them from rusting.