





#### WARRANTY

**A 24 months warranty**  
is granted on this parasol,  
including all operational parts.

Warranty does not cover damage  
from improper use, strong winds  
or rust film on spoke joints.



By purchasing a MEZZO, you have opted for a MAY side-post parasol of premium quality.

To guarantee highest precision of workmanship in the processing of your new parasol, all metal components are manufactured on state-of-the-art CNC-controlled lathes and milling machines. Textile canopy coverings are CNC-cut – with a tolerance of 0.1 mm – and sewn on industrial sewing machines on our premises. Our assembly team takes special care when assembling and adjusting your parasol before it then undergoes strict final inspection.

For long-lasting pleasure with your MEZZO we advise you to observe the following points...





**CORRECT LOCATION OF POLE AND BED**

**Shading**

For maximum shading we recommend positioning your parasol as shown in the illustration opposite. Positions apply to the northern hemisphere.

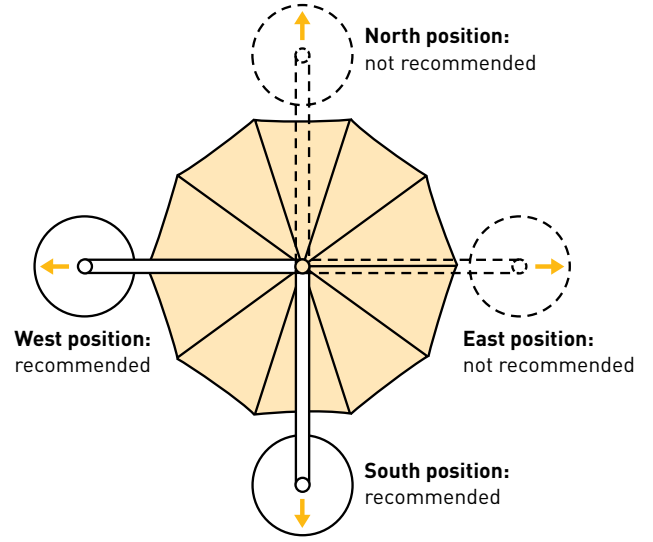
**Weather-exposed locations**

Large parasol canopies are particularly susceptible to strong winds. For this reason we advise you to avoid exposed locations (upwinds, slopes, wind tunnels). Additional pedestal weight can only help stabilize the parasol to a certain extent.



**Damage caused by wind**

Your MEZZO parasol is not designed for comprehensive protection in severe weather conditions. When strong winds arise, close the parasol immediately. We cannot assume warranty or liability for damage caused by wind.



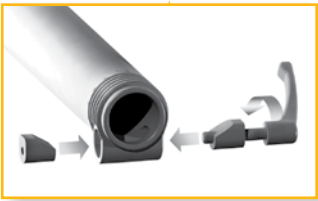


**1** Only required during initial assembly. Place the parasol pole into the tube of the pedestal/concrete base and fasten the clamp.



**2** Remove the protective sleeve.

**3** Release the strap.



**4** Only required during initial assembly. Mount the bracket onto the cross arm by inserting the clamps into the guideway.



**5** Sway the cross arm upwards, insert the crank and turn it clockwise to open the parasol.



**6** Only required during initial assembly. Mounting the turning handle. For easy tilting of the canopy, screw the turning handle into the screw nut in the crank sleeve.



We cannot assume any liability for damage due to improper opening and closing of the parasol.



**7** Raise the canopy to the tilt position required.



**8** Fasten by turning the clamp clockwise.



**1** Fasten by turning the clamp anti-clockwise.



**2** Close the parasol by turning it anti-clockwise.



✓ correct position



✗ wrong Position

**3 Positioning the double clamp:**  
To avoid damaging the eyebolts when closing the parasol, make sure that the double clamp is positioned opposite the eyebolts.



**4** MG: Sway the cross arm downwards.



**5** Pull the covering fabric from between the spokes and fold it round the parasol pole in one direction as you would with an ordinary portable umbrella.



**6** Tie the strap in the form of an eight around the closed canopy covering and the frame poles. In this way scouring of the fabric can be avoided.



We cannot assume any liability for damage due to improper opening and closing of the parasol.



**7** Pull the protective sleeve over the closed parasol.

- 1 Up to 360° rotation adjustment round support pole:**  
Release clamp. Turn the parasol to the position required.  
Fasten clamp.
- 2 Up to 90° tilt adjustment of the articulated axle:**  
Release clamp. Tilt the parasol to the position of your choice. Fasten clamp.
- 3 Up to 360° rotation adjustment of cross arm:**  
Release clamp. Use the crank to drive the parasol into the position required. Fasten clamp.  
For easy handling: hold and tilt the canopy with one hand while fastening the clamp with the other.
- 4 Height adjustment (35 cm) only possible with special version MH:**  
Release top clamp. Raise or lower the parasol to the height required. Fasten clamp.



Turning handle for easy tilting of the canopy.



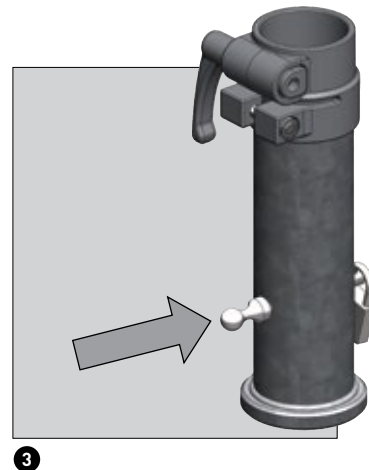
Crank drive for effortless opening and closing of the parasol.



Double clamp for safe height adjustment.

**Standard-length upper anchor tube**

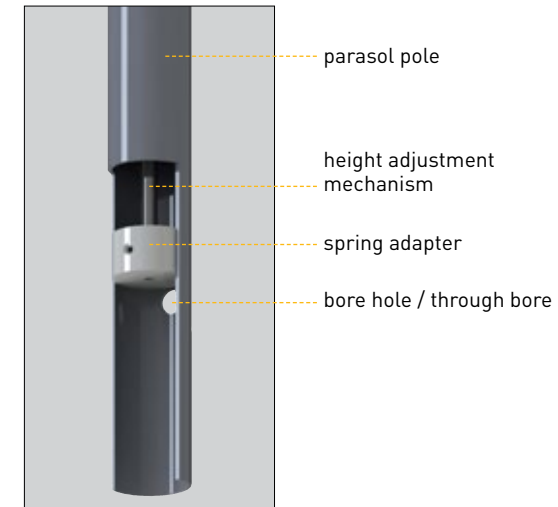
- 1 Aligning:**  
Align the parasol into the position required.
- 2 Drilling:**  
Drill the clearance hole for the theft and anti-twisting locks as follows:  
Holes have been provided in the anchor foot for anti-twisting mechanism. Use these as master/ guide holes and drill from either side through both the parasol-pole, using a Ø 12,5 mm twist drill.
- 3 Fixing the lock:**  
Slip the bolt through the holes and mount the lock.



**Extra-length upper anchor tube**

Same procedure as with standard-length (page 12).

MEZZO with height adjustment:  
The parasol pole must be set at a height where the height adjustment mechanism cannot get damaged through drilling. The bore hole must always be below the spring adapter.





**Canopy**

All our awning fabrics are made of high-quality materials. They are light-resistant, colourfast and extremely robust. A special finishing process also makes the fabrics water repellent, oil and grease resistant as well as resistant to emissions and pollution. However, as with any textiles, minimal colour deviation, slight pilling or differences in thread thickness are unavoidable. Colour pigments in the thread and impregnation can appear as white stripes in fabric creases.

Accordingly, in our conditions of sale and delivery we have taken into account the so-called "No-fault catalogue" published by the German institution responsible for industrial fabrics

(Bundesverband Kunststoff- und Schwergewebekonfektion e.V. Düsseldorf).

**Cleaning the canopy**

Clean canopy with a soft brush and CleanoMay 13. Afterwards rinse off all remaining soap with water. For cleaning of larger areas you may use a high pressure hose (max. 30° / 303 K / 86 °F, max. 30 bar, min. distance of nozzle to canopy 30 cm / 12 inches).

**Protective sleeve**

To achieve maximum durability, it is advisable to cover the canopy covering with the protective sleeve every day after use. During spells of bad weather it is essential to do so. Before

covering the parasol, make sure that the fabric is completely dry. It is best to open the parasol completely so that it can be dried in the sun and wind. Non-observance can result in premature aging, wear and mildew.

**Winter storage**

Make sure that the parasol canopy is completely dry, then close it as described on pages 8 and 9.

Best storage place: a dry and sheltered inside area.

Storage outside can lead to material damage. If storage outside cannot be avoided, the parasol must be kept in an absolutely weather-protected spot.

Store the parasol in a place where mice cannot get at it.

**MEZZO with height adjustment:**

- 1 Release both clamp levers about one turn to avoid too high tension of the double clamp in cold conditions.

- 2 To prevent scouring, set both clamp levers in the direction of the gear.
- 3 To avoid scouring, place some soft, abrasion-resistant (foam) material between the double clamp and the parasol pole.



2



3

**Cleaning the metal parts**

Dirt stains on aluminium parts can be removed with a polishing abrasive. As the spokes are made of spring steel, they may rust slightly. Use a deruster to remove the rust film. All other parts of your MEZZO parasol are maintenance-free. If spokes get damaged, they can easily be screwed off and replaced individually.

foam material



**SELF-HELP AND DIAGNOSIS  
IN THE CASE OF FAULTS**

<b>Problem</b>	<b>Solution</b>
Canopy will not remain open.	Crank was turned in wrong direction. Turn crank again with just one strong jerk so that clamping friction opens the parasol with an audible bang.
The lever of the double clamp is not released when opening.	Remove clamp blocks and lubricate the semi-circular surfaces with silicone spray.
Cross arm does not move properly.	Clean cross arm and thinly grease the sliding surface with silicone spray.

