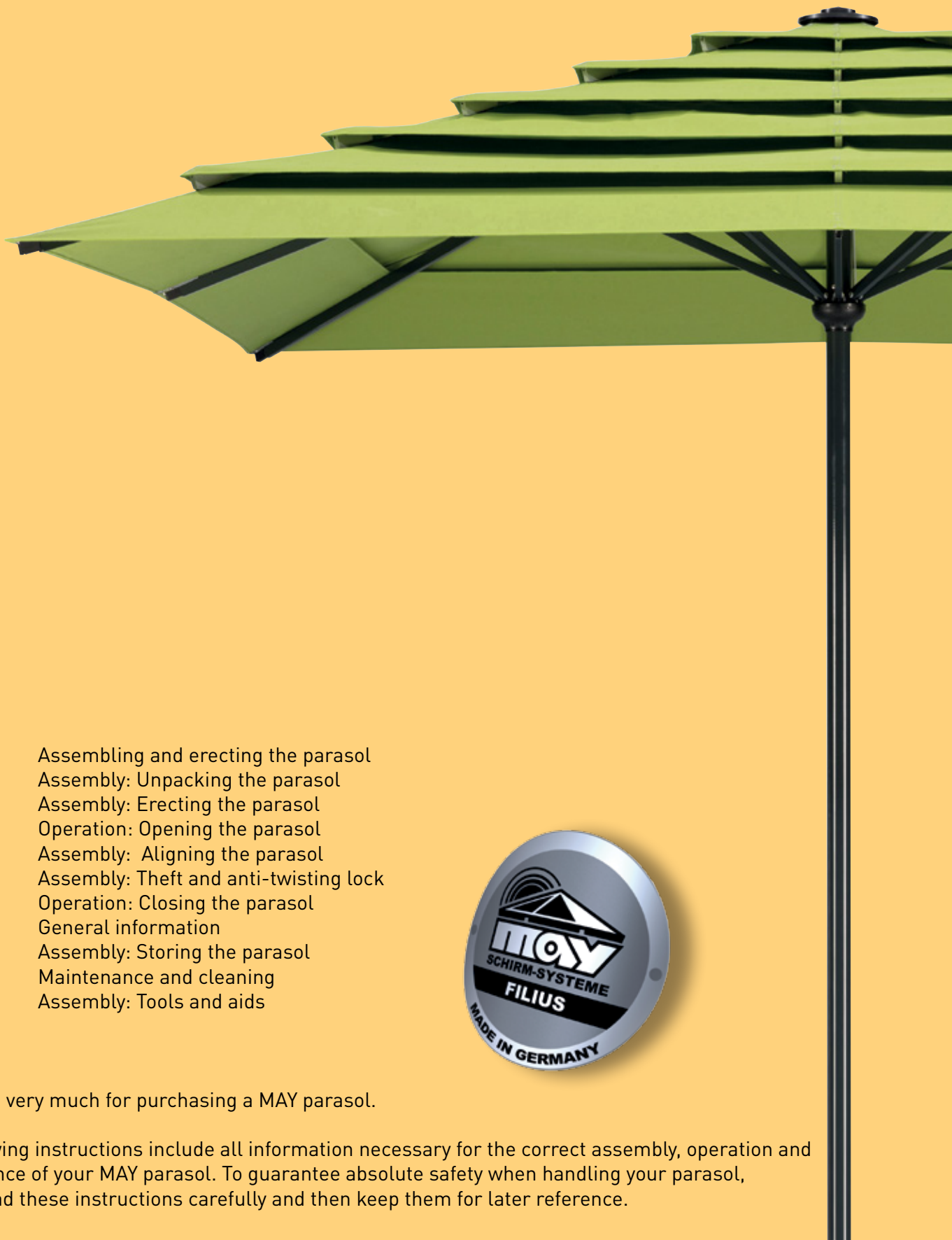


Operating instructions: type FILIUS Pagoda

with DMZ118



Content:

page 02	Assembling and erecting the parasol
page 03	Assembly: Unpacking the parasol
page 05	Assembly: Erecting the parasol
page 07	Operation: Opening the parasol
page 08	Assembly: Aligning the parasol
page 09	Assembly: Theft and anti-twisting lock
page 10	Operation: Closing the parasol
page 12	General information
page 13	Assembly: Storing the parasol
page 14	Maintenance and cleaning
page 15	Assembly: Tools and aids



Thank you very much for purchasing a MAY parasol.

The following instructions include all information necessary for the correct assembly, operation and maintenance of your MAY parasol. To guarantee absolute safety when handling your parasol, please read these instructions carefully and then keep them for later reference.



Caution

Non- observation of operating instructions can result in personal injuries or damage to property.

Please note that if these instructions are not observed, the manufacturer cannot assume any liability or guarantee.

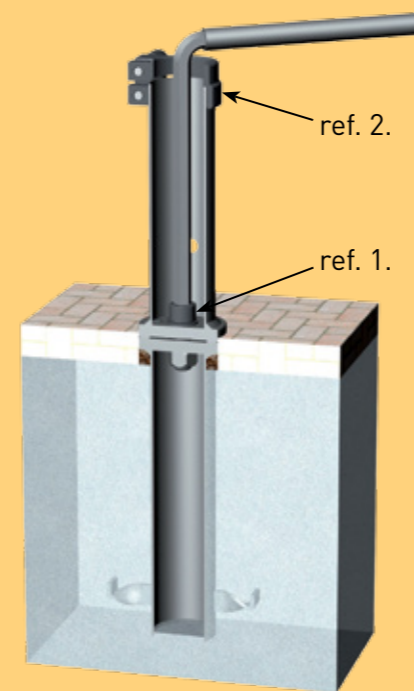
- Always follow the safety regulations.
- Should you not understand any part of these operating instructions, please contact your MAY dealer.



Warning

Wind can damage your parasol. No guarantee possible.

- Always completely open or close the parasol. Never leave it merely half-opened, as it is then not fully stable.
- Immediately close the parasol whenever wind rises.
- If parasols are erected in an exposed location (e.g. in upcurrents, on sloping ground, in wind corridors, etc.) the weight of the base must be increased.



2. Loosen the clamp there is sufficient clearance inside the anchor tube for the centre pole to be inserted vertically.

Assembling and erecting the parasol

1. Fasten the upper anchor tube to the lower tube with socket head screw.



Danger

A falling parasol can cause serious or even fatal injury.

If, during assembly, the anchor tube slips away, it will be impossible to hold onto the parasol. It will fall down and possibly cause a serious accident.

- Make sure all anchor tube screws and hinges function properly
- Tighten the M16 socket head screw with a torque of 210 Nm.



Danger

Screws that are not tightened correctly will work loose.

If screws are not tightened firmly enough, there will not be sufficient tensile force to trigger self-locking. If the screws are tightened too firmly and over-stressed, the screw connection may slacken.

- Tighten the screw manually using the enclosed hex key and extension. Exert as much force as possible. With the enclosed tools there is virtually no risk of over-stressing.
- The correct torque for a torque wrench is 210 Nm.

Assembly: Unpacking the parasol

1. Remove bottom end cap of the front part of the cardboard sleeve. Use a cordless screwdriver with a T30 bit to remove the torx screws.



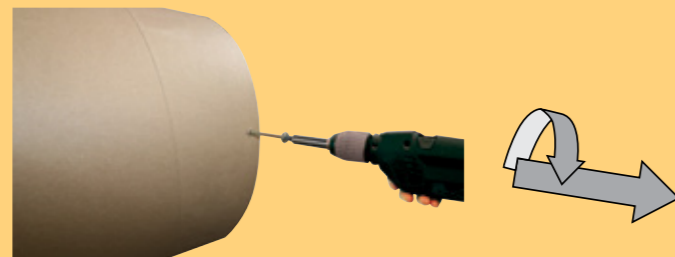
Caution

If the parasol is improperly withdrawn from the cardboard tube, the canopy fabric may be damaged.

When the parasol is withdrawn, the metal brackets that fasten the tube caps can tear the fabric.

- Remove all metal brackets from either end of the protective tube before withdrawing the parasol.





2. Remove the accessory package (crank, MAY-protective gloves), the protective sleeve and the printout of the operating manual attached to the centre pole.
3. Remove the inner support cap the same way as the end cap.
4. Remove the top end cap. This is not required but helpful as it avoids the development of a vacuum within the cardboard sleeve during pulling out the parasol. This would complicate pulling out the parasol.
5. Holding the support pole, carefully pull the parasol out of the cardboard tube.



Pulling the parasol over rough surfaces (brinks, edges, uneven floors) damages the fabric.

- When withdrawing the parasol, place the cardboard tube on a working platform or trestle in order to be away from the ground.
- Never pull the parasol over brinks or edges.
- Do not lean the parasol against anything.



If the parasol falls onto the ground, the canopy fabric gets damaged.

- The best way to carry the parasol is on the shoulders.
- Avoid all risks of tripping on the route of transport. Clean the ground where the parasol is to be positioned.
 - Carry the parasol with at least 2 persons.



If the parasol is laid directly onto the ground, the canopy fabric may get damaged.

- When put on the ground, the canopy fabric may possibly get torn or scratched due to the weight of the parasol.
- Ideally, the parasol should be safely anchored at once or laid on a soft surface (e.g. a mat or blanket)
 - Avoid point loads (stones, crushed rock, transport trolley with a small rest).

Assembly: Erecting the parasol

1. Remove the foam package.



If a knife is used to remove the packaging, the protective sleeve and the canopy fabric may get damaged.

- Do not use a knife or any other sharp instrument to remove the packaging.
- Remove the adhesive tape by pulling at the end and winding it up.

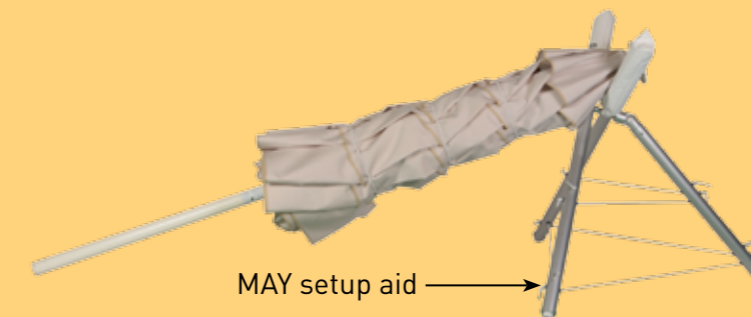
2. Remove the protective plastic sleeve. This transparent sleeve is only for transport.



Canopy may get dirty or damaged.

While erecting the parasol, always make sure the canopy is firmly tightened around the centre pole and secured with the lashing strap. Otherwise the fabric may touch the ground and may get dirty or damaged.

- Only remove the transparent protection sleeve after you have put a clean carpet or cardboard onto the floor.
- The lashing straps may only be removed when the parasol is in vertical position.



3. Use the enclosed MAY protection gloves to avoid the canopy is getting dirty.



4. Put the bottom of the centre pole onto the upper anchor tube.



5. Erect the parasol as following: One person pushes the bottom of the centre pole into the upper anchor tube, the other person erects the parasol.



Danger

A falling parasol can cause serious or even fatal injury.

If, during assembly, the parasol spins round in the anchor tube, it may become uncontrollable, fall and thus cause a serious accident.

- It takes at least 2 adults to erect the parasol.
- Make sure to have one person available who is dedicated to push the centre pole into the upper anchor tube.



Caution

Do not allow the parasol to plummet into the anchor tube.

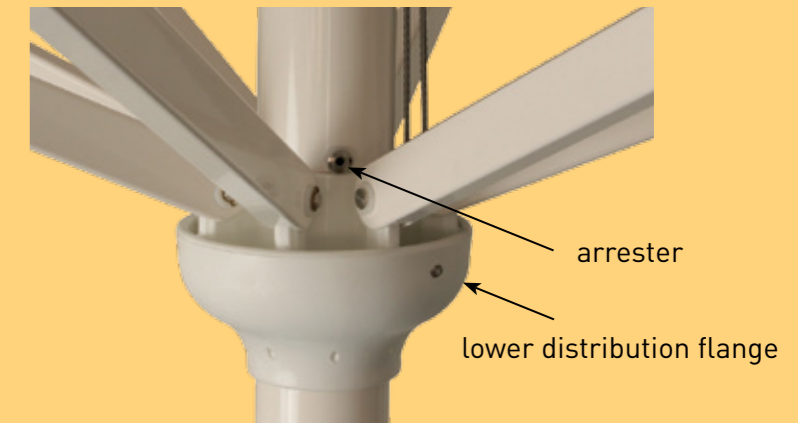
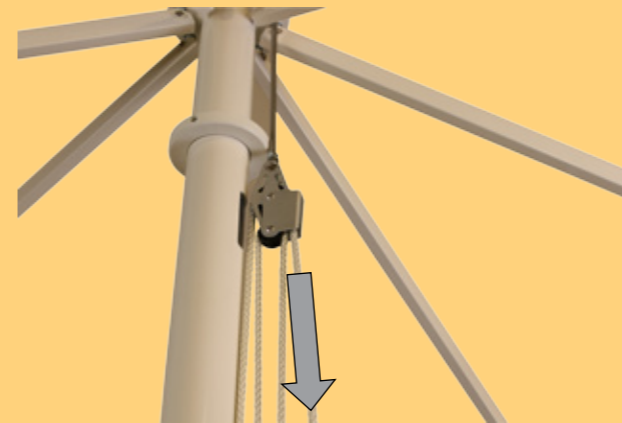
Simply dropping the pole into the anchor tube without control may have a detrimental effect on the operating mechanism of the parasol.

- Slowly lower the pole into the upper anchor tube until it has a firm hold on the bottom surface.

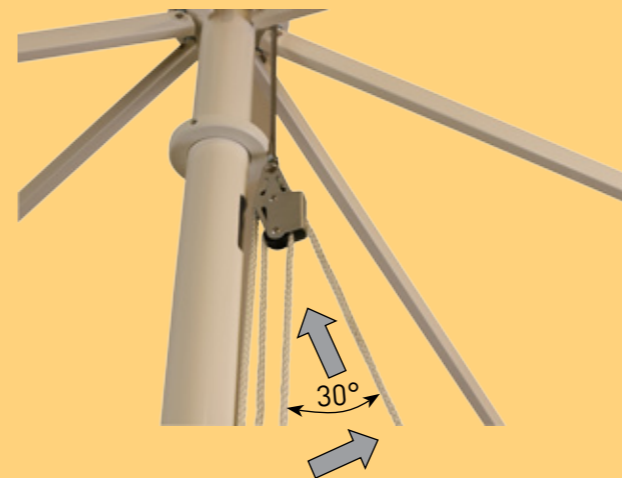


Opening the parasol: FILIUS with rope pull FS

1. Remove the strap from the canopy.
2. Pull the rope down vertically until the lower distribution flange is moved up against the 2 arresters, this is necessary to achieve full tension of the canopy.



3. Pull the rope outwards to an angle of approx. 30° and then loosen the tension somewhat. The rope should get wedged in the upper pulley block, thus ensuring that the parasol stays open.



Warning

If the parasol is not fully opened, it can get damaged by the wind.

- Always open the parasol to full tension.

Opening the parasol: FILIUS with crank drive FK

1. Remove the strap from the canopy.
2. Insert the hand crank into the designated bore of the canopy mechanism and open the parasol by turning it clockwise. The runner must be moved against the 2 arresters, this is necessary to achieve full tension of the canopy.



Caution

If the parasol is not fully anchored, it can cause serious or even fatal injury.

Wind may lift the parasol if the screw is not tightened at the upper anchor tube.

- Make sure the M16 screw at the upper anchor tube is tightened.



Caution

If the hand crank is not fully inserted, it will wear.

- Always insert the hand crank right up to the limit stop.



Warning

If the parasol is not fully opened, it can get damaged by the wind.

- Always open the parasol to full tension.



Assembly: Aligning the parasol

1. Release the clamp of the anchor tube.
2. Open the parasol. (see above heading: "Opening the parasol")

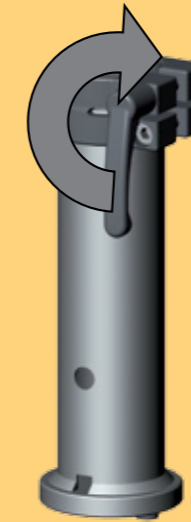


Danger

The wind can lift the parasol out of the upper anchor foot.

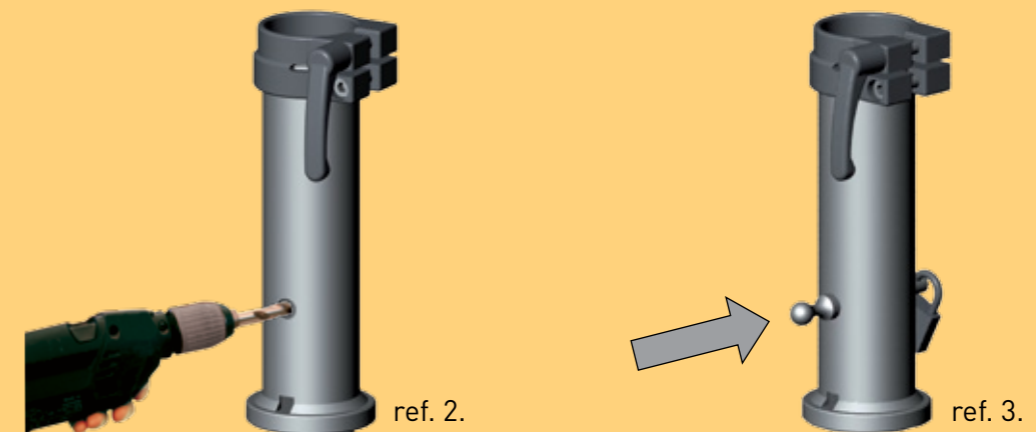
- If the clamp lever is loosened, open the parasol only if there is absolutely no wind.

3. Turn the erected parasol within the anchor foot until the required position has been reached. Aligned parallel to the wall of the house is visually appealing. In case of several parasols they should be positioned parallel. At FILIUS with crank drive FK should sticker and crank point in one direction.
4. Tighten the clamp on the upper anchor tube.



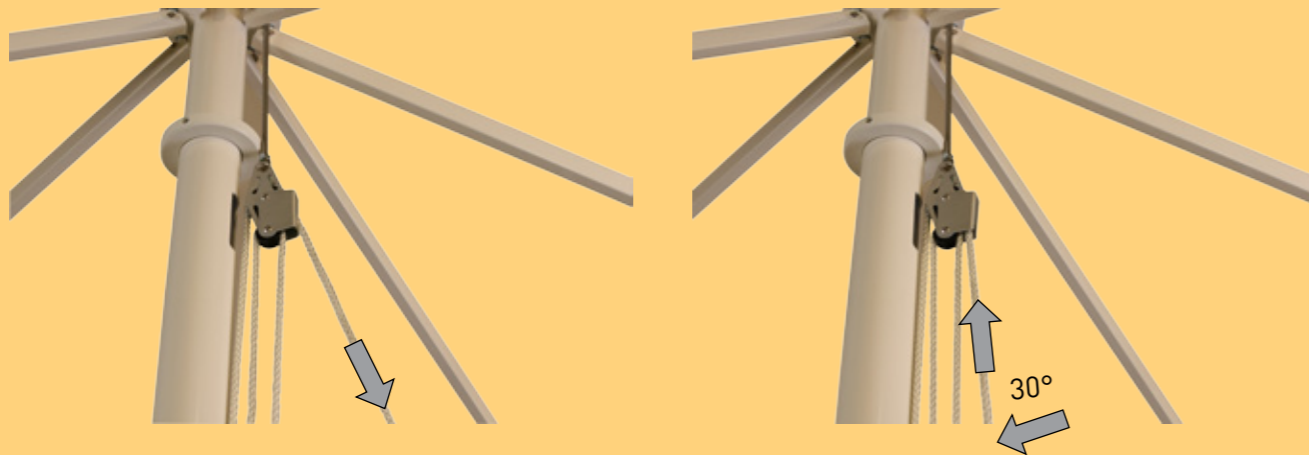
Assembly: Theft and anti-twisting lock

1. Align the parasol into the position required (cf. paragraph "Aligning the parasol").
2. Drill the bore hole for the theft and anti-twist lock from either side through both the parasol pole and the inner tube, using a $\varnothing 12.5$ mm twist drill. If you want to drill the holes with a cordless drill you need to reduce the force required. Therefore we suggest to start with a smaller diameter and gradually increase up to $\varnothing 12.5$ mm. We recommend to use $\varnothing 5$ mm, $\varnothing 8$ mm and $\varnothing 11$ mm drill bits.
3. Slip the bolt through the holes and mount the lock.



Operation: Closing the parasol

1. FILIUS with rope pull FS: Pull the rope outwards to an angle of approx. 30°. When the rope is no longer wedged in, pull it downward and loosen the tension.



FILIUS with crank drive FK: Insert the crank or the drill bit into the designated bore of the canopy mechanism and close the parasol by turning it anti-clockwise.



Fabric jammed between the spokes can cause abrasion and scouring marks. No guarantee possible.

- Pull the covering fabric from between the spokes and fold it round the parasol pole in one direction as you would with an ordinary portable umbrella.



Caution

Wind can do damage to an unsecured parasol and may lead to abrasion of the canopy fabric. No guarantee possible.

- Close the parasol and secure it with 3 lashing straps.



3. Pull the supplied protection sleeve over the parasol.



Caution

Wind may damage an unsecured canopy (rupture and chafe marks). No warranty.

Even if the parasol is closed and secured by the 3 lashing straps, there are still some parts of the canopy that cannot be secured and therefore move in the wind. In extremely windy areas this damages the canopy at an early stage. Canopy made from MayTex-Poly especially tend to this kind of flutter damage.

- Pull a protection sleeve over the closed parasol.

General information

1. Use the parasol only if it is in original condition.



Caution

Any constructional change may lead to damages.

If the original condition is changed, constructional components may collide, the stability gets reduced, opening and closing becomes complicated and the canopy or the metal base gets damaged. Other components beside or below the parasol may also be affected. No warranty, guarantee or liability.

- Only use original MAY spare parts.
- Do not make any constructive changes, e.g. bore holes, exchanging screws.
- Do not use any external material.
- Do not attach any items into the parasol, e.g. decoration or electrical equipment.
- Only use the parasol if it is free of damage and fully functional.
- Repairs may only be done by authorized personnel.

2. Only use the parasol if the weather is permitting.



Danger

Extreme environmental impacts may cause personal injury and material damage.

If a parasol is exposed to excessive strain it may get damaged or even ruined. The spokes, the canopy or the centre pole may get damaged. Also, surrounding objects may be affected.

- After closing the parasol always secure it with the lashing strap.
- Close the parasol in case of thunderstorms, hail or extreme rain showers.
- The parasol is not made for snow loads. Close the parasol in case of snow and icing.
- Close the parasol if unattended.

3. Keep away children from the crank during opening and closing the parasol.
4. Keep the parasol away from open fires and its sparks. Deep fryers from surrounding booths cause dirt. The canopy and the frame also get dirty from electric fires positioned directly below the parasol. Exhaust fumes deposit as a black lubricating film underneath the parasol.
5. Check with your insurance if there is an option to cover storm damage for your FILIUS. Storm damage: If a parasol is not professionally closed and secured (as instructed in this instruction manual) it may damage the parasol.

Assembly: Storing the parasol

If possible, leave the parasol outside throughout the whole year. Unprofessional storage may rather lead to damages than leaving the parasol outside.

There are several reasons for winter storage, e.g. if there is no vandalism protection given or if the city administration requires parasol removal. Following instructions must be followed for storage:

1. The canopy must be really dry for storage.



Caution

Improper storage may damage the canopy.

If the following instructions are not observed, mildew may stain the material or the sewing thread may start to moulder.

- Make sure the parasol is really dry.
- Fold the fabric correctly, see page 10 „closing the parasol“.
- Pull the protective sleeve over the closed parasol.
- Store the parasol in a dry room.
- Ensure a constant room temperature to avoid water condensation.

2. Make sure to avoid pressure marks at the canopy during storage.



Caution

Improper storage may damage the canopy.

Point loads from the tare weight or other subjects cause pressure marks and holes. No guarantee possible!

- Remove the fixation of the (suspended) rain gutter and the side sheets, see separate manual.
- Remove any external components, if applicable.
- The weight of a horizontally stored parasol must be supported by a possibly large surface. Use the cardboard tubes in which the parasol was delivered. Push in the parasol to avoid point loads.
- In case you store the parasol in a rack without the cardboard tube, please make sure the rack is deep enough to provide sufficient seating.
- The most simple and safe way to store a parasol is in vertical position. Just put the parasol into a pedestal frame. If this unit is indoors, the parasol is protected from wind and weather and therefore the canopy lasts the winter without damage.

3. Store the parasol away from mice.



Caution

Mice like to gnaw on textiles. This causes material damage.

If the parasol is not protected from mice, they may damage the canopy. Please always check each storage to make sure mice will not get in.

- Do not store a parasol in lying position on the floor.
- Cross arm racks (no connection to the ground) that are doweled into the wall are a good solution, as long as the distance to the ground is big enough, so mice cannot climb up.
- A parasol that is stored in vertical position is protected from mice, as they cannot climb up the centre pole.

Maintenance and cleaning

1. Maintenance and cleaning should only be done by official MAY dealers.
2. Cleaning the canopy: Use a soft brush to remove dirt from the canopy, or use a high-pressure hose (max. 30° C, max. 30 bar, min. 30 cm distance between nozzle and canopy) and CleanoMay, art. no. 350848. Afterwards rinse well with clear water so no soap residues remain on the fabric.



Caution

If not cleaned properly, the canopy fabric may get damaged.

- Follow our cleaning instructions for cleaning your parasol.

3. The MAY company will be pleased to overhaul your parasol and clean the canopy fabric for you. However, this is only possible off-season, i.e. from October to December.
4. Please contact your local retailer to clarify the transport to the May company.
5. Please keep in mind, the lead time for spare canopies and other spare parts is shorter during winter than in spring and summer time.

Assembly: Tools and aids

This chapter helps the technician to get optimally prepared. Use the following checklist to guarantee a smooth and professional assembly. All items required are listed below.

Depending on individual circumstances it may be helpful to have your regular tools and aids available as well.

Assembly:

- 14 mm hexagon key (Allen key, supplied with the delivery)
- cordless drill (charged, with spare battery if possible)
- T 30 bit, suitable for the cordless drill
- MAY- setup aid (article no. 352040) or a chair
- soft mat / carpet
- MAY protective gloves (supplied)
- torque wrench 210 Nm, suitable hexagon key, 14 mm
- extension for a 14 mm hexagon key, minimum length 25 cm

Only in case of theft lock:

- cordless drill (charged, with spare battery if possible)
- centre punch and 200 g hammer
- spiral drill, sizes Ø 5 mm, Ø 8 mm, Ø 11 mm and Ø 12.5 mm

Cleaning:

- broom suitable for cobblestone
- dustpan and brush
- cleansing cloth and CleanoMay (cleaner, article no. 350848) for aluminium mast (important in case of rain)
- do not use thinner for cleaning
- bear in mind that the packaging must be disposed after assembly

