

## Mounting instructions DMZ271

Free-standing base plate 800 x 800 x 12 mm for FILIUS.

The following instructions include all information necessary for the assembly and operation of this base plate. To avoid any misunderstanding we advise you to read these instructions carefully and then keep them for later reference.



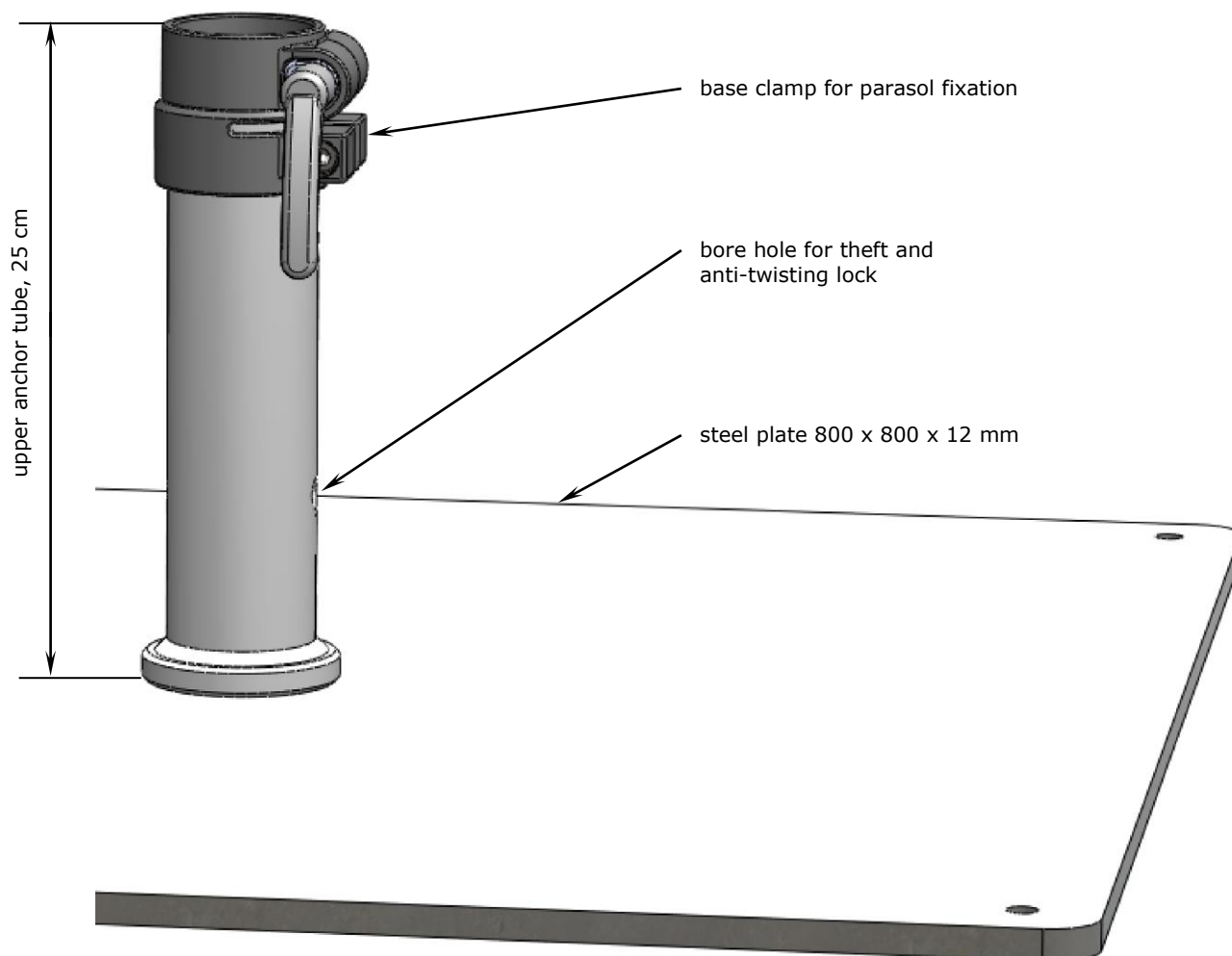
Caution

**Non- observation of mounting instructions can result in personal injuries or damage to property.**

Please note that if these instructions are not observed, the manufacturer cannot assume any liability or guarantee.

- Always follow the safety regulations.
- Should you not understand any part of these mounting instructions, please contact your MAY dealer.

### Diagram showing mounting materials



## Anti-slip protection



Gefahr

**There is a risk of slipping on moist steel plates, which can cause personal injury.**

Moist steel has a low coefficient of friction, shoe soles therefore a low grip. Walking on a moist steel plate may cause injuries by slipping. There are two options to lower this risk:

- Apply a slip resistant paint onto the steel plate surface, or
- Attach a slip resistant adhesive foil.

Manufacturers of slip resistant paint or foil are for example Mipa or 3M.

## Anti-slip protection

The weight of the steel plates prevent the parasol from vertical lifting. However, if the wind is coming from the side the parasol base plate may slip on the terrace surface.



Danger

**Base plates that are not secured against strong crosswinds may cause personal injuries and damage to property.**

Some common floor coverings, such as wood or marble, reduce the coefficient of friction of galvanized steel. Moisture or smooth surfaces may reduce the grip additionally. Make sure to protect the base plates from slipping. Please note that if this instruction is not observed, the manufacturer cannot assume any liability or guarantee.

There are two fixing options:

- Anti-slip lock: Fix the plates by screwing them to the floor.
- In case a screwed fixation is not possible, the friction must be increased. Put an anti-slip mat below the steel plates.

### 1. Increase friction:

An outdoor rubber mat of the same size as the steel plate (approximately 800x800mm) is needed. There is a May anti-slip mat available (art. no. 352791). Position the anti-slip mat according to the desired position of the parasol FILIUS main axis, see following paragraph. Then put the steel plate onto the anti-slip mat.

### 2. Anti-slip lock:

Please follow the instructions on the next page for correct mounting of the holding tube. Then use screws to fix the steel plates at the corner boreholes to the floor. In case of concrete floor dowels are needed, use heavy duty wood screws for wooden floors.

## Determining the location of the anchor tube

1. Allow sufficient space between sunshades or between the wall of the house and the sunshade.



**Caution**

### **Sunshades that are located too close together wear sooner.**

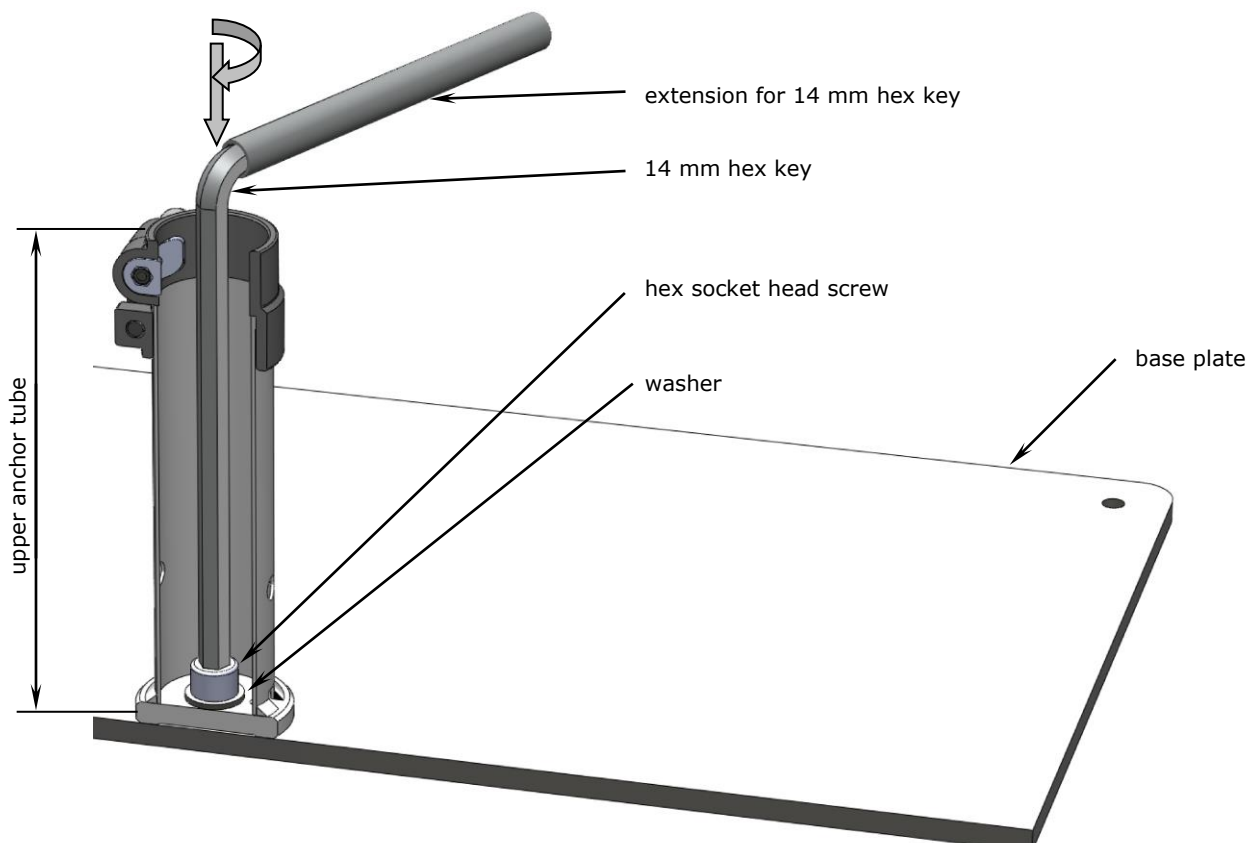
Sunshades may sway slightly. If there is not enough space between them, they may touch and abrade or scour the canopy fabric at the spoke ends.

- Make sure that there is a clearance of approx. 15 – 20 cm between the sunshades (or between sunshade and the wall of the house).

2. We would like to stress that uneven patios are no problem for us. We are able to compensate any unevenness of the ground by adjusting the height of each individual sunshade. Extra length upper anchor tubes are available at 10 cm gradation and can be adjusted and accommodated on location.

## Fastening the upper tube

3. Screw the tube onto the base plate (cf. illus.). To do so, slip the 16 mm washer onto the M16 x 25 mm hex socket head screw and tighten, using the enclosed 14 mm hex key and the extension.





Caution

---

**Screws that are not tightened correctly will work loose.**

If screws are not tightened firmly enough, there will not be sufficient tensile force to trigger self-locking. If the screws are tightened too firmly and over-stressed, the screw connection may slacken.

- Tighten the screw manually using the enclosed hex key and extension. Exert as much force as possible. With the enclosed tools there is virtually no risk of over-stressing.
  - The correct torque for a torque wrench is 210 Nm.
- 

## Usage

The base plate is dimensioned to fit all FILIUS sizes, allowing for an extra length of max. 50cm. It is sized to ensure that an open umbrella will remain standing at up to windforce 5 on the Beaufort scale.



Danger

---

**A falling sunshade cause serious or even fatal injury.**

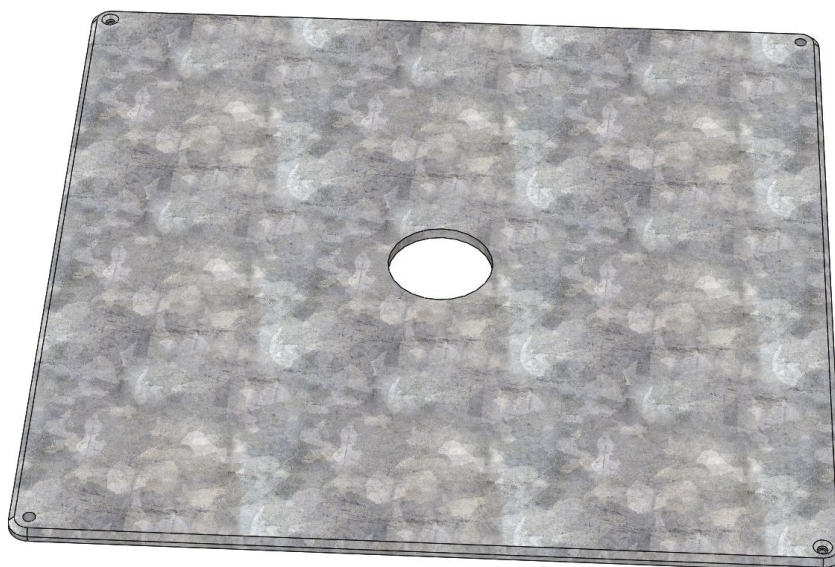
If, when the sunshade is open, the wind speed exceeds Beaufort 5 (horizontal wind), the whole construction may topple and cause damage to property or personal injury.

- Immediately close the sunshade whenever wind rises.
  - Use an add-on weight plate if applicable, see next page.
-

## Add-on weight plate (art. no. 351185) 780 x 780 x 12 mm, for MEZZO, DACAPO und FILIUS

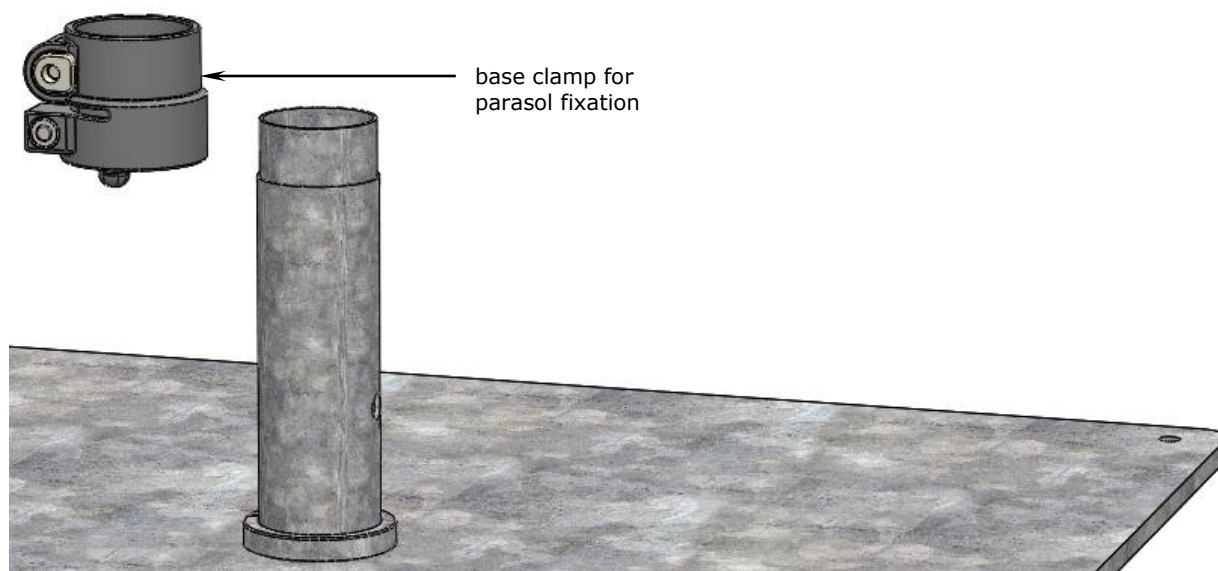
Fits for free-standing base plate DMZ271 and DMZ139, for retrofitting.

DMZ271 or DMZ139 combined with the add-on weight (art. no. 351185) reach the suitable weight to be used with MEZZO or DACAPO.

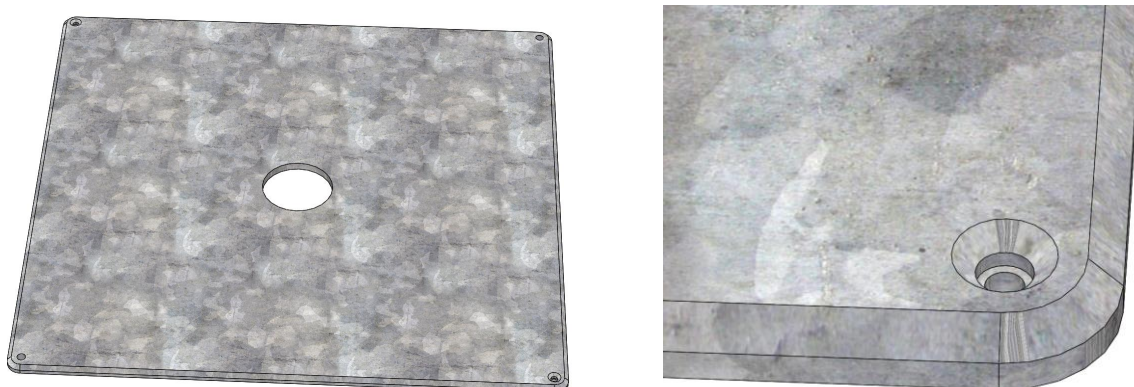


### Mounting

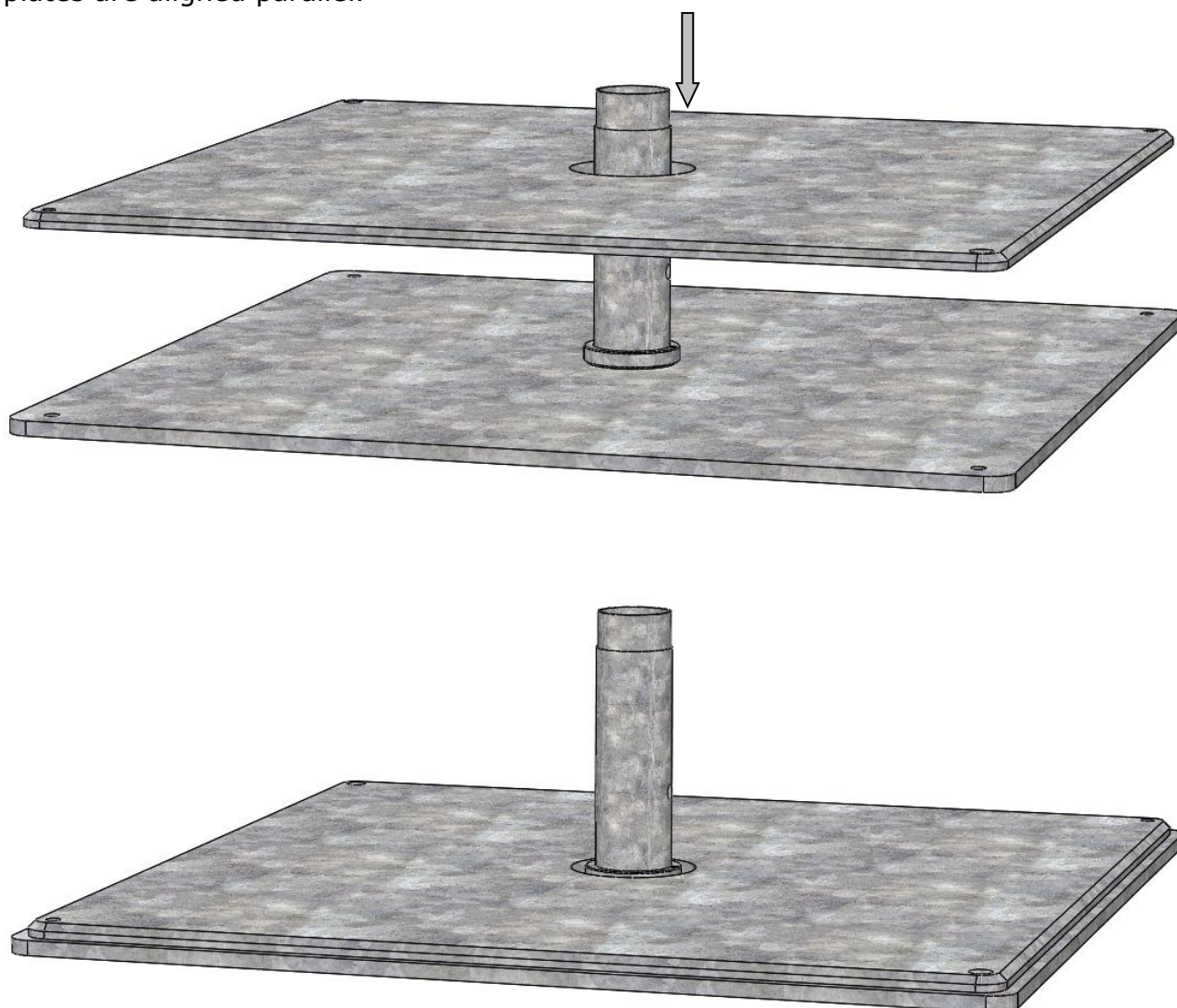
1. Remove the base clamp. Use a 6 mm hex key to loosen the lower screw about 6 revolutions. Then the base clamp can be lifted off.



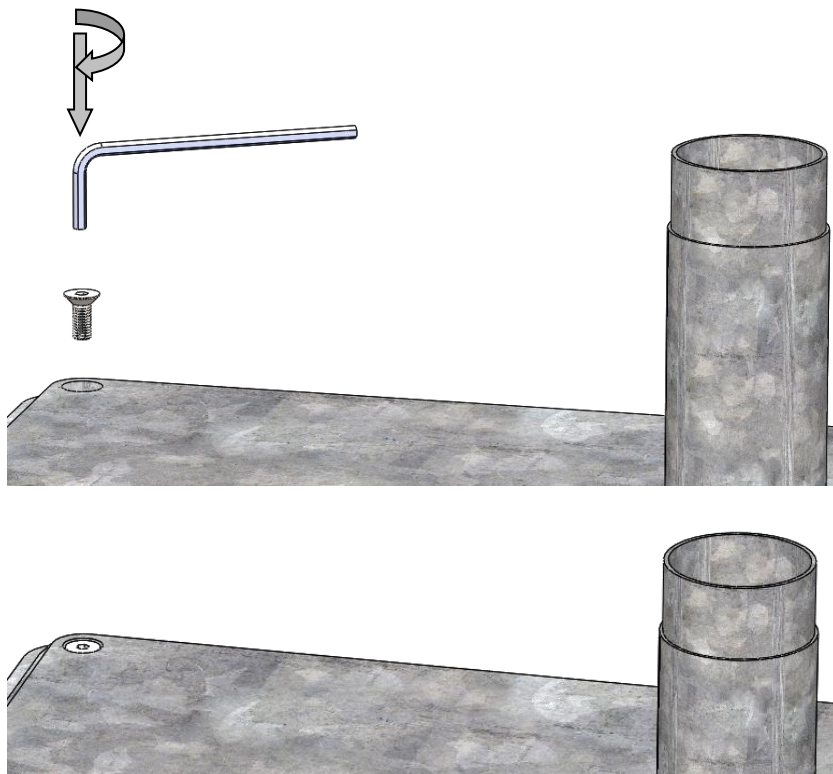
2. Turn the add-on weight plate so the countersinks and chamfers facing up.



3. Put the add-on weight plate onto the base plate centrally. Make sure the edges of the two plates are aligned parallel.



4. Choose two opposite lying corners and screw in the 2 supplied countersunk screws completely (use a 5 mm hex key).



5. Attach the base clamp and use a 6 mm hex key to tighten the screw.

