

# Installation instructions DMZ170

## Wall bracket for type for type MEZZO, DACAPO and FILIUS

The following instructions include all information necessary for the installation of this wall bracket. To avoid any misunderstanding, we advise you to read these instructions carefully and then keep them for later reference.



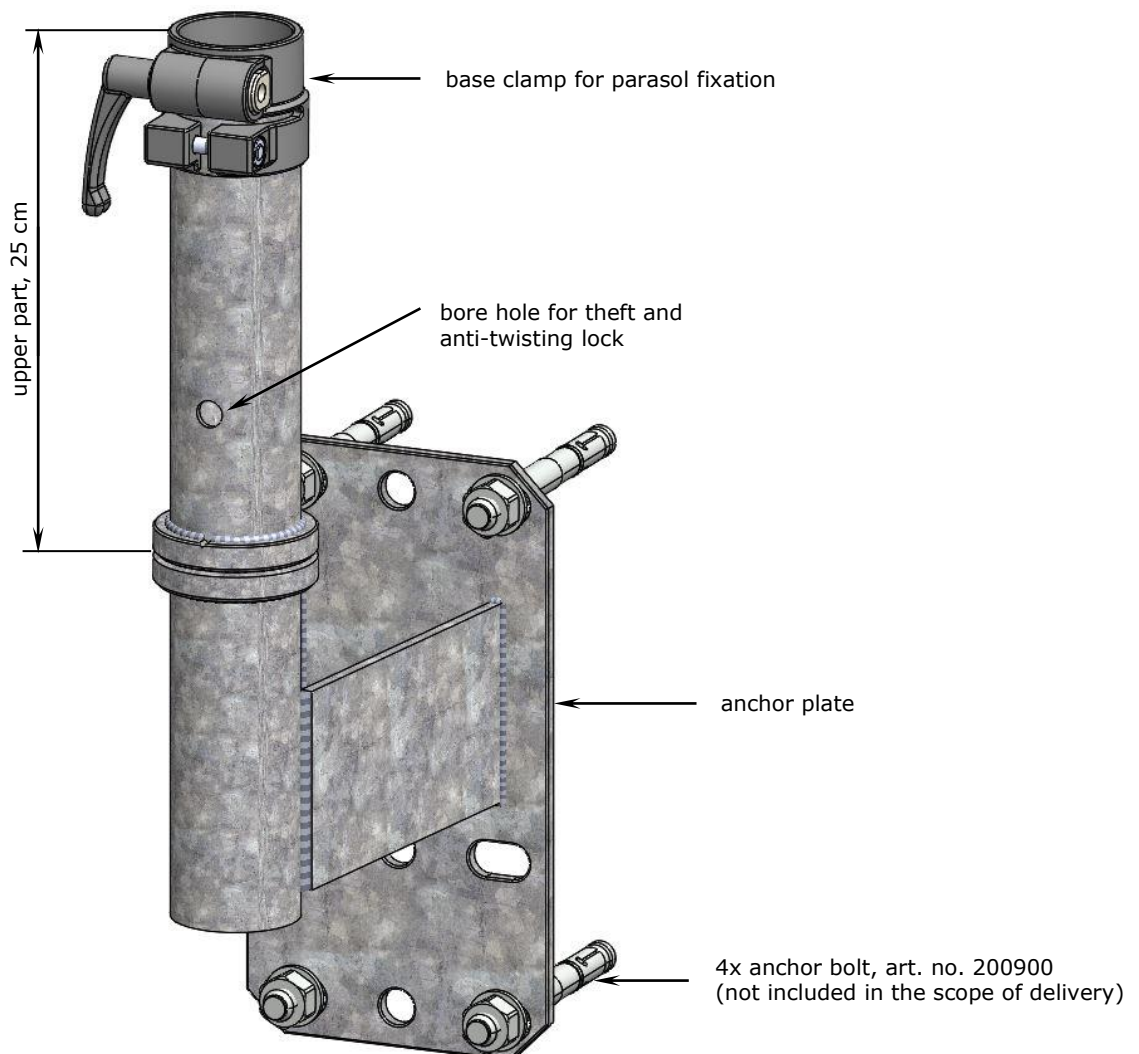
Caution

**Non- observation of operating instructions can result in personal injuries or damage to property.**

Please note that if these instructions are not observed, the manufacturer cannot assume any liability or guarantee.

- Always follow the safety regulations.
- Should you not understand any part of these operating instructions, please contact your MAY dealer.

### Diagram showing installation materials and tools



## Positioning

1. Allow sufficient space between parasols or between the wall of the house and the parasol.

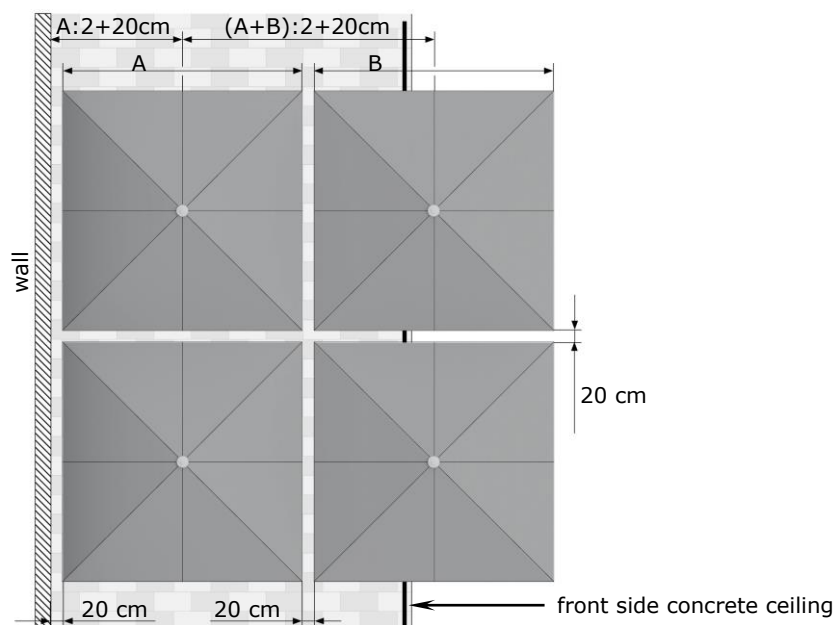


### Caution

#### **Parasols that are located too close together wear sooner.**

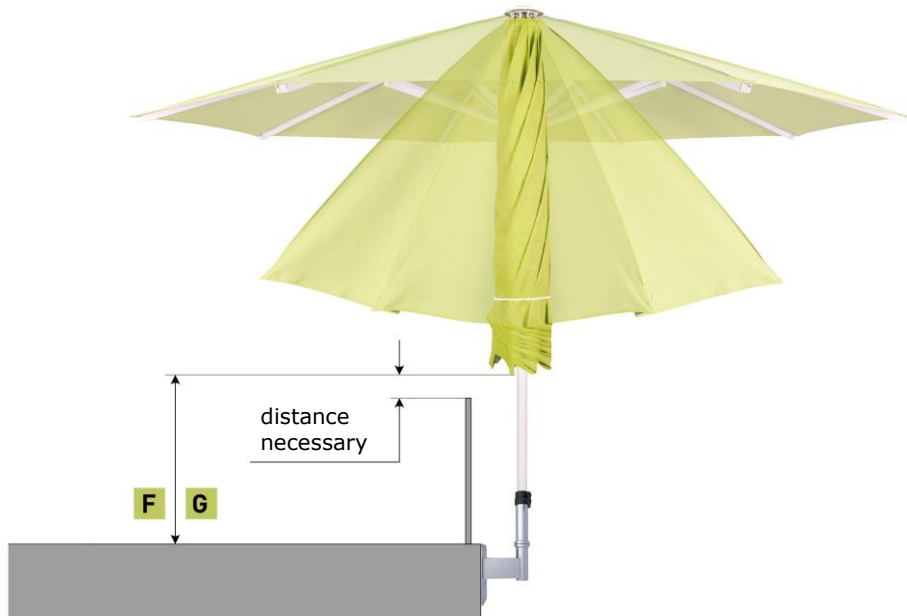
Parasols may sway slightly. If there is not enough space between them, they may touch and abrade or scour the canopy fabric at the spoke ends.

- Make sure that there is a clearance of 15-20 cm between the parasols (or between the parasol and the wall of the house).

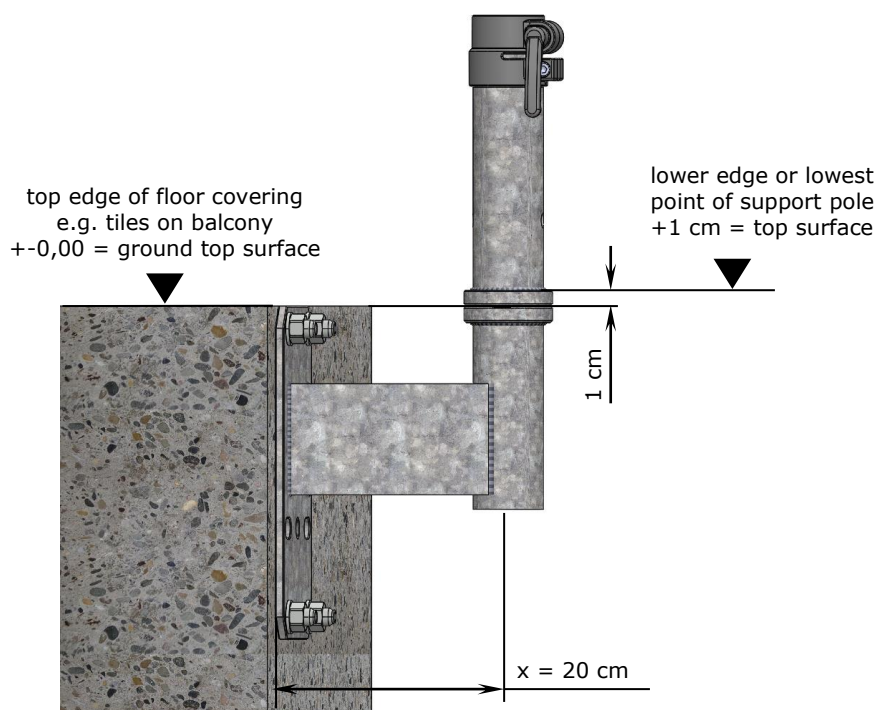


## 2. FILIUS:

The bottom clearance (measure F / G: see table in catalogue "commercial parasols") must allow enough space for closing the parasol roof despite of balustrade / rail.

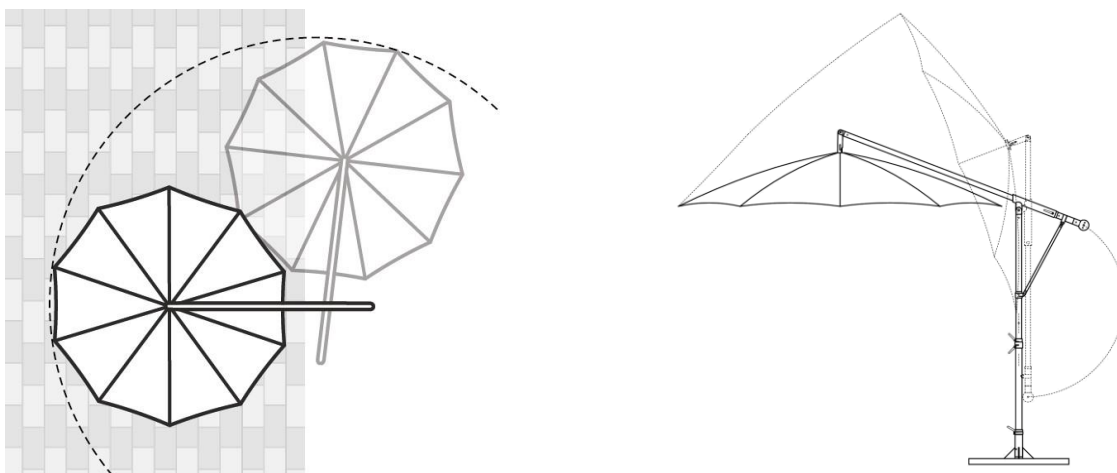


Consider the offset of the DMZ170. If the anchor plate is mounted flush with the top edge the measures F and G decrease about 1 cm. In case the parasol roof collides with the balustrade, a centre pole extension may help. Using an extended upper anchor tube may also be an option, they are available in 10 cm increments and may be adapted onsite. See instructions at: [may.ag/extralength.en](http://may.ag/extralength.en)



### 3. DACAPO / MEZZO:

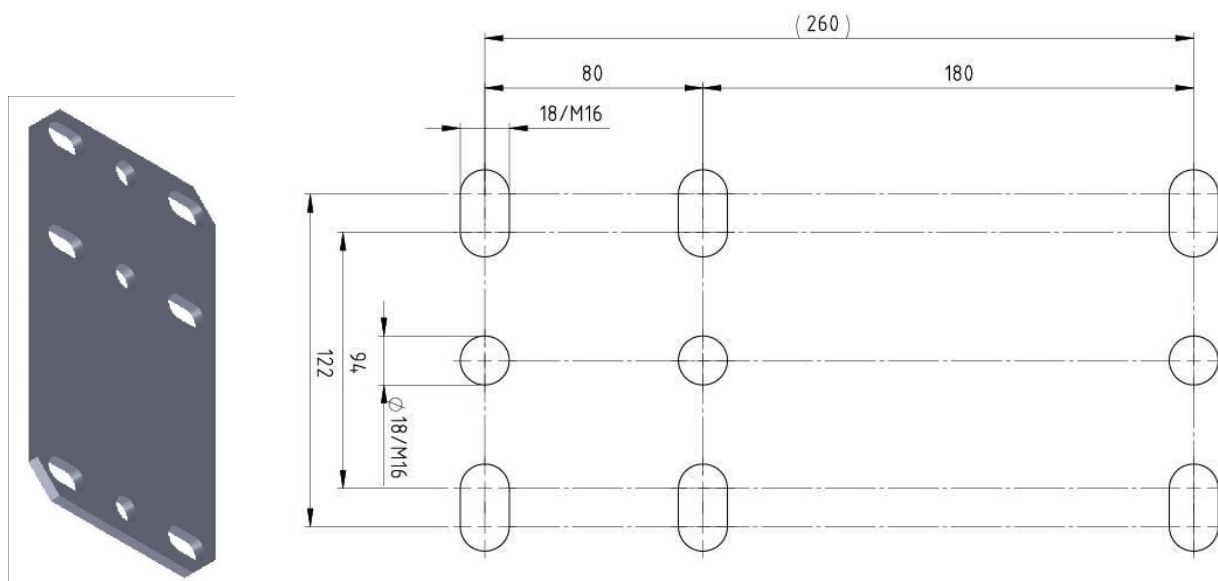
There must be enough clearance between parasol and any obstacles (balustrade, rail, flower pot, etc.) to avoid abrasion of the canopy during opening or closing of the parasol. If this cannot be guaranteed during planning, at first the parasol should be installed temporary. After testing all functions (turning, overhang, flying range) the wall bracket can be mounted.



4. Customized versions with modified measure x (other than 20 cm standard) are available at extra charge and individual delivery time. Order sheet: see last page of this document.

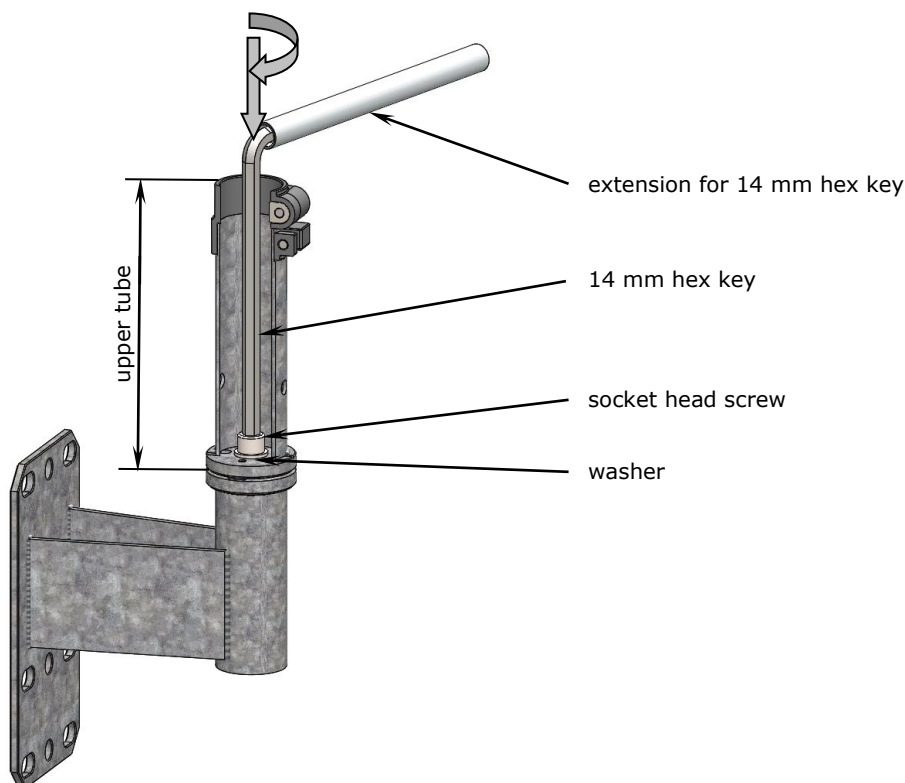
## Drilling pattern

The drilling pattern helps to estimate the feasibility during planning. In order to avoid surprises, we recommend that you do not drill the holes in the wall until the component is physically on the terrace and can be used as a drilling template.



## Dowelling wall plate

1. Screw the upper tube onto the anchor plate (cf. illus.). Slip the 16 mm serrated lock washer on the M16x30 mm socket head screw and tighten, using the enclosed 14 mm hex key and extension.



### Caution

#### **Screws that are not tightened correctly will work loose.**

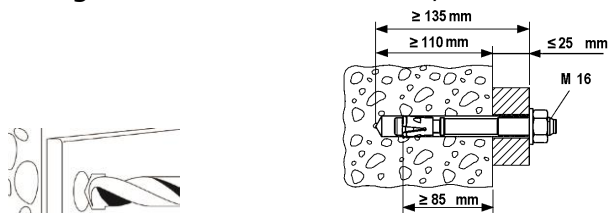
If screws are not tightened firmly enough, there will not be sufficient tensile force to trigger self-locking. If the screws are tightened too firmly and over-stressed, the screw connection may slacken.

- Tighten the screw manually using the enclosed hex key and extension. Exert as much force as possible. With the enclosed tools there is virtually no risk of over-stressing.
- The correct torque for a torque wrench is 210 Nm.

2. Screw the wall bracket to the concrete wall. If you use anchor bolts provided by other manufacturers, please observe their instructions. Anchor bolts supplied by MAY should be mounted as follows.

Order No. 200900, threaded bolt with nut, stainless steel A4:

a) Using a 16 mm hammer drill, drill a min. 110 mm-deep hole into the concrete.



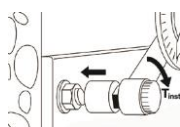
b) Clean the bore hole with compressed air.



c) Drive the anchor bolt into the hole. Before doing so, be sure to position the hex nut correctly. (The drive-in pin of the threaded bolt should jut out of the hex nut approx. 2 - 3 mm.)



d) Use a torque wrench to tighten the nut with 110 nm.



**Danger**

---

**A falling parasol can cause serious or even fatal injury.**

If the dimensions of the anchor bolts do not match the size of the umbrella, the parasol may fall and cause injuries.

- Always determine the appropriate bolt size with the help of a specialist.
  - Anchor bolts of May company are approved for cracked and non-cracked concrete C20/25 to C50/60. Also suitable for concrete C12/15 and natural stone with dense structure.
-

3. Check that the anchor plate is straight, using a spirit level. (cf. illus.)

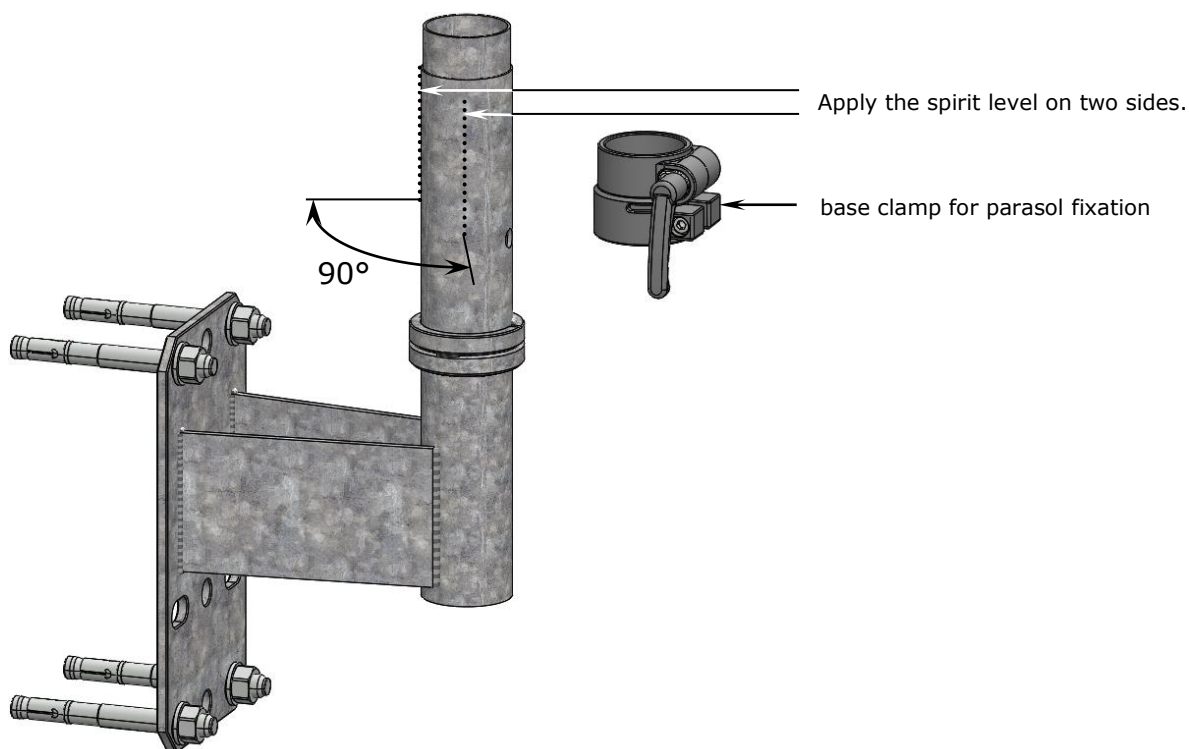


Caution

**If the parasol is to be in a vertical position, the wall bracket must be embedded in the concrete absolutely vertically.**

If necessary, align the upper tube with the help of washers.

- Remove the base clamp on the upper anchor tube.
- Apply the spirit level on two sides.



**Order form for customized design**

Wall bracket DMZ170  
Customized design



When ordering, please fill in the fields below.

Quantity: \_\_\_\_\_ (mandatory)

(Dealer-) Name and adress: \_\_\_\_\_ (optional)

(Dealer-) Commission: \_\_\_\_\_ (optional)

(Dealer-) Order number: \_\_\_\_\_ (optional)

(Dealer-) Name of clerk in charge: \_\_\_\_\_ (optional)

Order placed: \_\_\_\_\_ (mandatory)

Name

Date

Only for MAY Gerätebau GmbH:

Order number: \_\_\_\_\_