

## Installation instructions DMZ125

### Wall bracket for type MEZZO, DACAPO and FILIUS

The following instructions include all information necessary for the installation and operation of this wall bracket. To avoid any misunderstanding, we advise you to read these instructions carefully and then keep them for later reference.



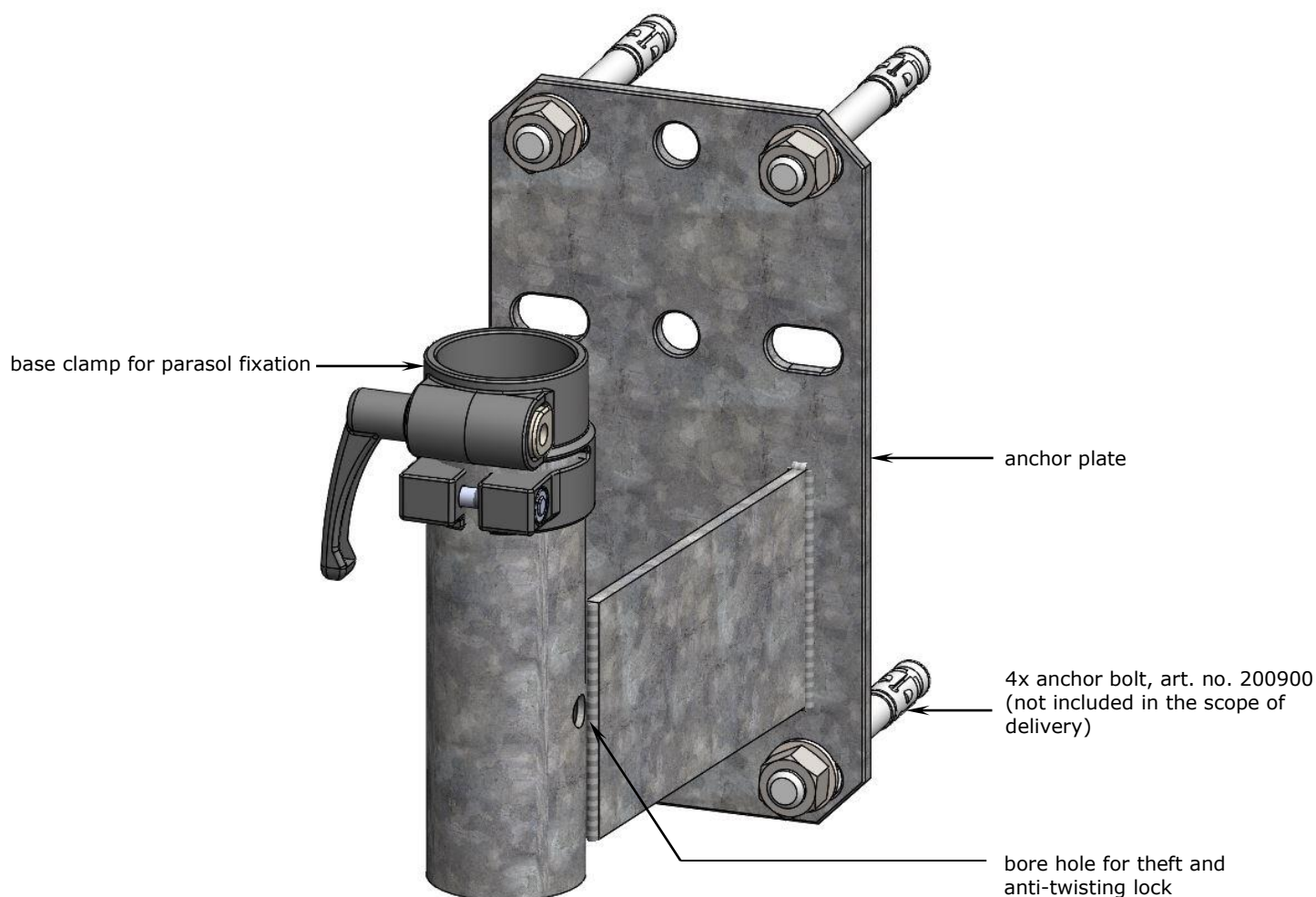
Caution

**Non- observation of operating instructions can result in personal injuries or damage to property.**

Please note that if these instructions are not observed, the manufacturer cannot assume any liability or guarantee.

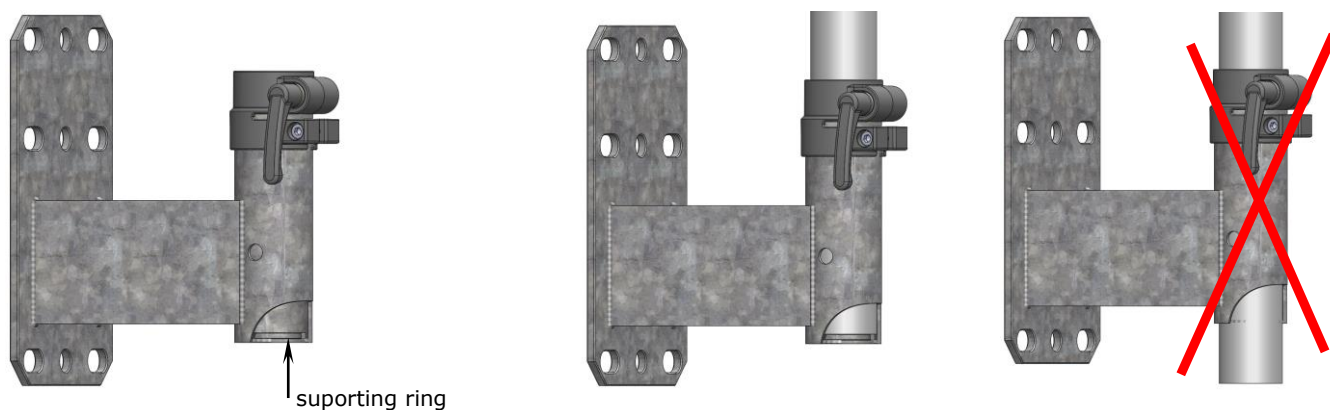
- Always follow the safety regulations.
- Should you not understand any part of these operating instructions, please contact your MAY dealer.

### Diagram showing installation materials



## Function

In order to support the weight of the parasol, the bottom edge of the parasol rests on the supporting ring inside the tube. Therefore, the parasol cannot be guided all the way through. A customized version without supporting ring is available upon request and individual delivery time.



## Positioning

1. Allow sufficient space between parasols or between the wall of the house and the parasol.

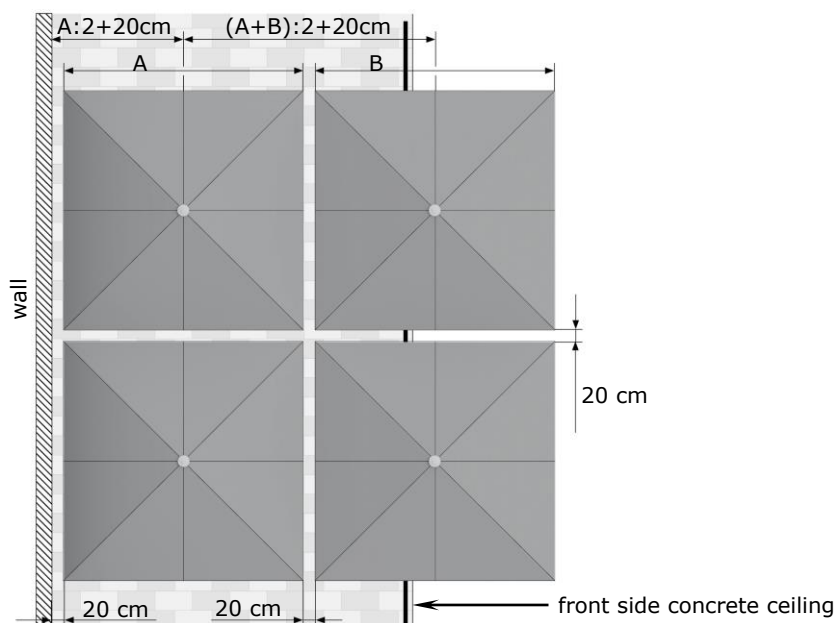


Caution

### Parasols that are located too close together wear sooner.

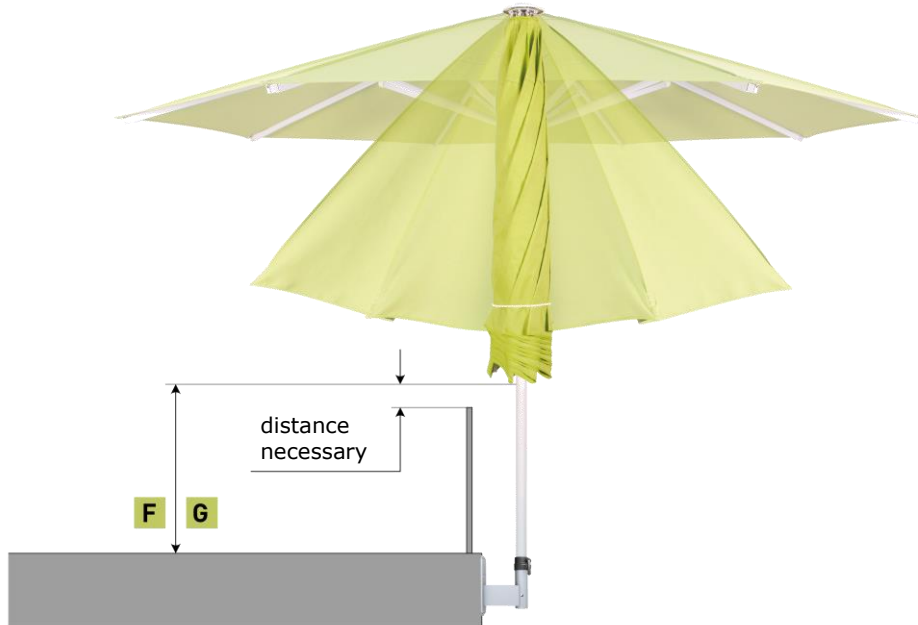
Parasols may sway slightly. If there is not enough space between them, they may touch and abrade or scour the canopy fabric at the spoke ends.

- Make sure that there is a clearance of 15-20 cm between the parasols (or between the parasol and the wall of the house).



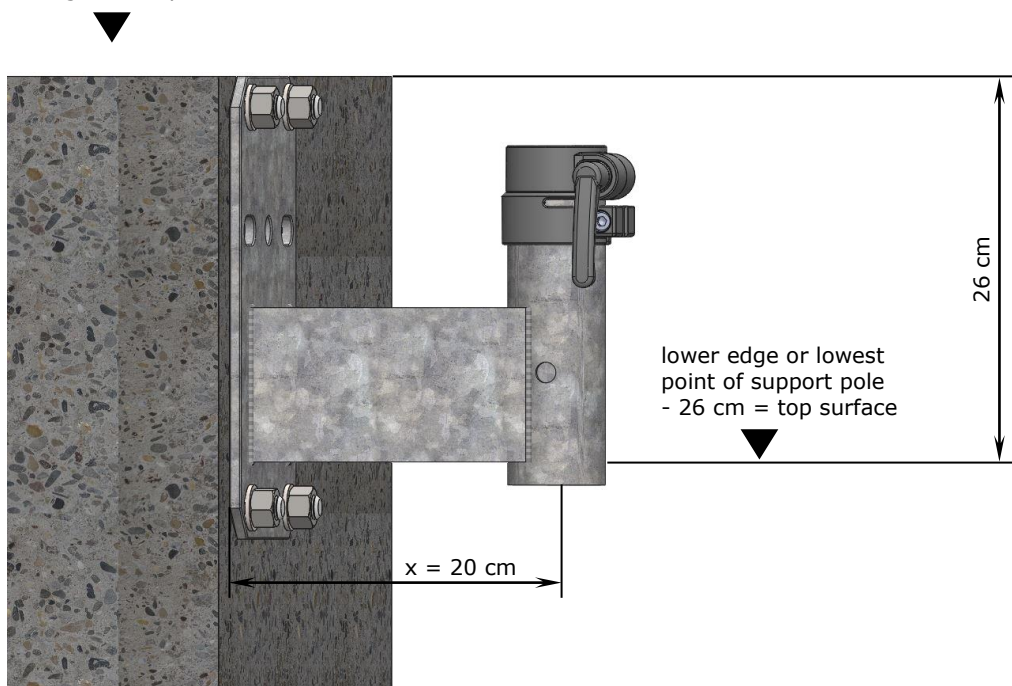
## 2. FILIUS:

The bottom clearance (measure F / G: see table in catalogue "commercial parasols") must allow enough space for closing the parasol roof despite of balustrade / rail.



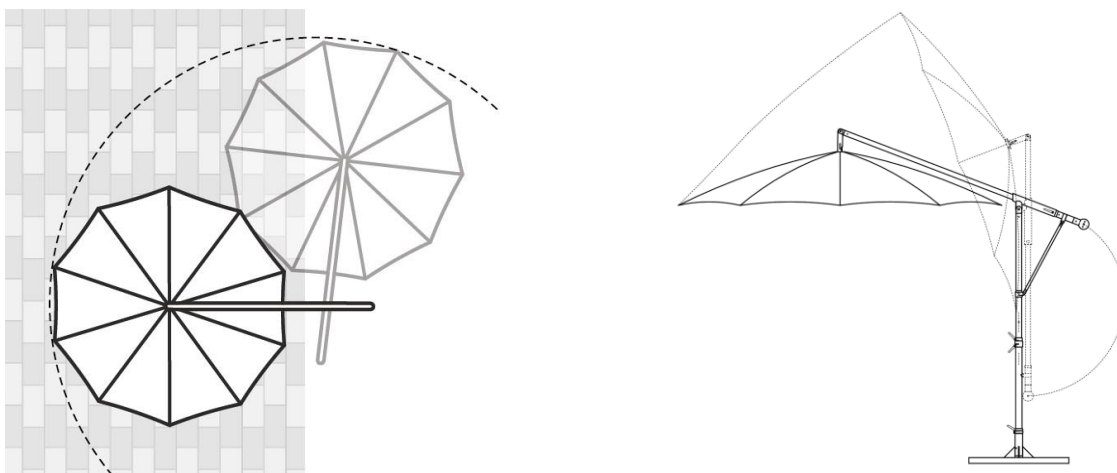
Consider the offset of the DMZ125. If the anchor plate is mounted flush with the top edge the measures F and G decrease about 26 cm. In case the parasol roof collides with the balustrade, a centre pole extension may help. Using a DMZ170 instead of the DMZ125 may also be an option.

top edge of floor covering  
e.g. tiles on balcony  
+ -0,00 = ground top surface



### 3. DACAPO / MEZZO:

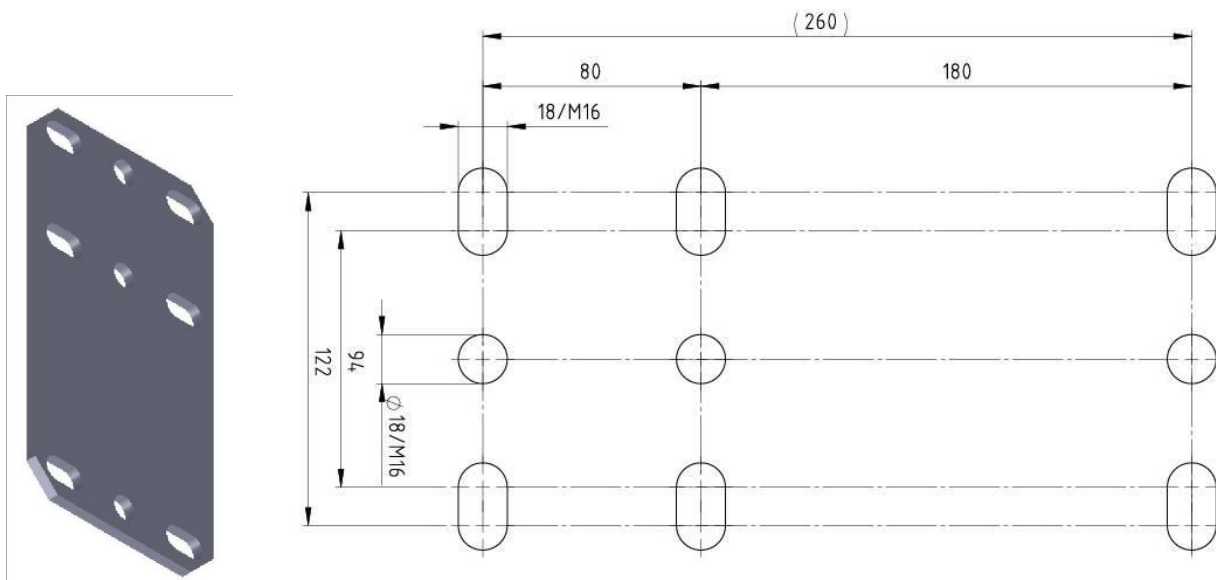
There must be enough clearance between parasol and any obstacles (balustrade, rail, flower pot, etc.) to avoid abrasion of the canopy during opening or closing of the parasol. If this cannot be guaranteed during planning, at first the parasol should be installed temporary. After testing all functions (turning, overhang, flying range) the wall bracket can be mounted.



4. Customized versions with modified measure x (other than 20 cm standard) are available at extra charge and individual delivery time. Order sheet: see last page of this document.

## Drilling pattern

The drilling pattern helps to estimate the feasibility during planning. In order to avoid surprises, we recommend that you do not drill the holes in the wall until the component is physically on the terrace and can be used as a drilling template.

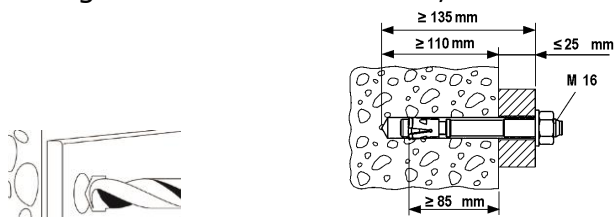


## Dowelling the anchor plate

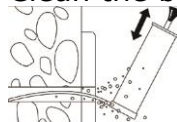
1. Screw the anchor plate onto the foundation / concrete ceiling. If you use anchor bolts provided by other manufacturers, please observe their instructions. Anchor bolts supplied by MAY should be mounted as follows:

Order No. 200900, threaded bolt with nut, stainless steel A4:

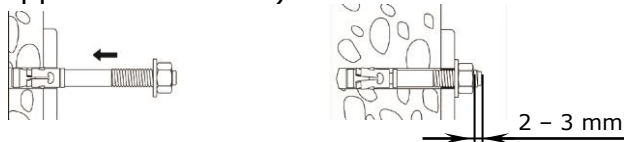
- a. Using a 16 mm hammer drill, drill a min. 110 mm-deep hole into the concrete.



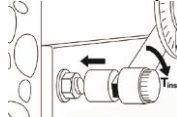
- b. Clean the bore hole with compressed air.



- c. Drive the anchor bolt into the hole. Before doing so, be sure to position the hex nut correctly. (The drive-in pin of the threaded bolt should jut out of the hex nut approx. 2 - 3 mm.)



- c. Use a torque wrench to tighten the nut with 110 Nm.



**Danger**

### **A falling parasol can cause serious or even fatal injury.**

If the dimensions of the anchor bolts do not match the size of the umbrella, the parasol MAY fall and cause injuries.

- Always determine the appropriate bolt size with the help of a specialist.
- Anchor bolts of MAY company are approved for cracked and non-cracked concrete C20/25 to C50/60. Also suitable for concrete C12/15 and natural stone with dense structure.

2. Check that the anchor plate is straight, using a spirit level. (cf. illus.)



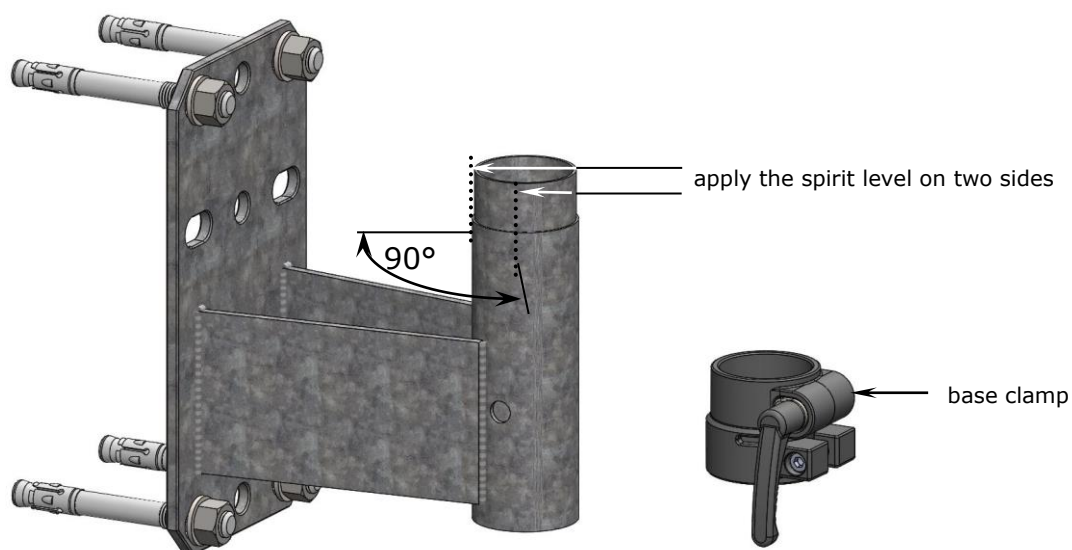
Attention

---

**In order to ensure that the parasol stands upright, the DMZ125 must be screwed into vertical position.**

If DMZ125 is not in an absolutely vertical position, the parasols will stand slanted. This would have a negative impact on the overall optical appearance of the parasols. Especially when there are several parasols in a row, even an inexperienced passer-by would notice that they are not straight.

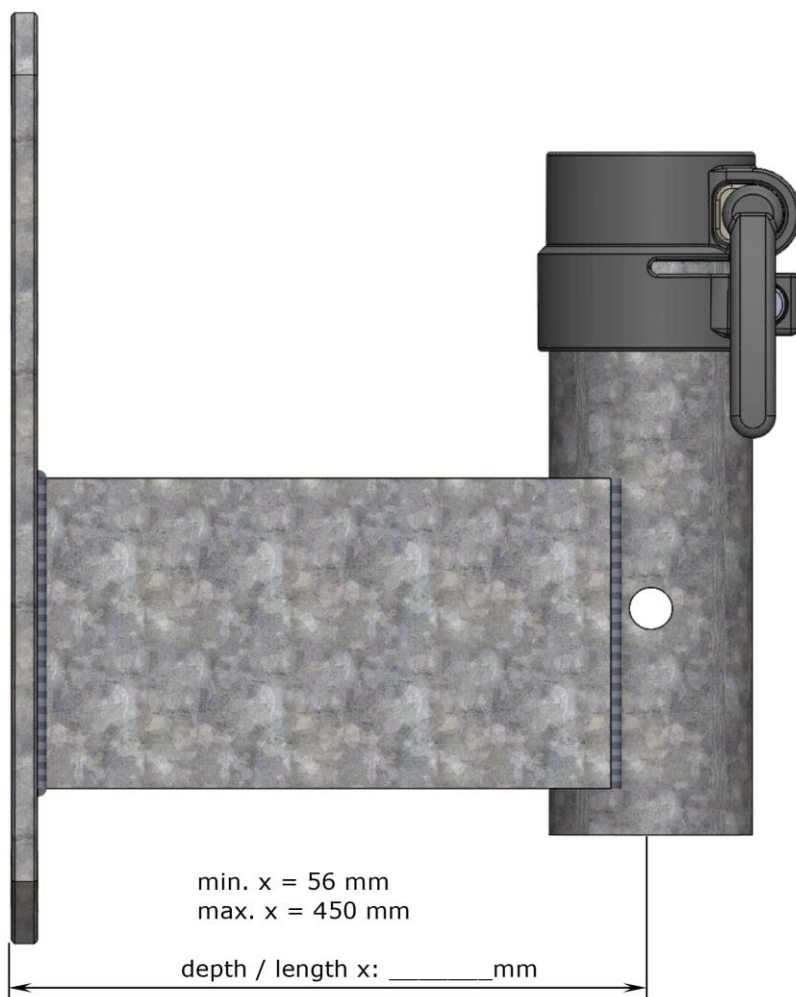
- Remove the base clamp.
  - Use a spirit level to align the DMZ125. (cf. Illustration)
  - Use wedges or washers under all four corners.
- 





**Order form for customized design**

Wall bracket DMZ125  
Customized design



When ordering, please fill in the fields below.

Quantity: \_\_\_\_\_ (mandatory)

(Dealer-) Name and adress: \_\_\_\_\_ (optional)

(Dealer-) Commission: \_\_\_\_\_ (optional)

(Dealer-) Order number: \_\_\_\_\_ (optional)

(Dealer-) Name of clerk in charge: \_\_\_\_\_ (optional)

Order placed: \_\_\_\_\_ (mandatory)

Name

Date

Only for MAY Gerätebau GmbH:

Order number: \_\_\_\_\_